



Pulegge a gola PL per bussola conica **POGGILOCK[®]**

PL V-belt pulleys for taperbushes **POGGILOCK**[®]

PL Keilriemenscheiben für Spannbuchse **POGGILOCK**[®]

Poulies trapézoïdales PL pour moyeu amovible **POGGILOCK**[®]

Poleas trapeciales PL para casquillo cónico **POGGILOCK**[®]





Pulegge a gola PL per bussola conica **POGGILOCK**[®]

PL V-belt pulleys for taperbushes **POGGILOCK**[®]

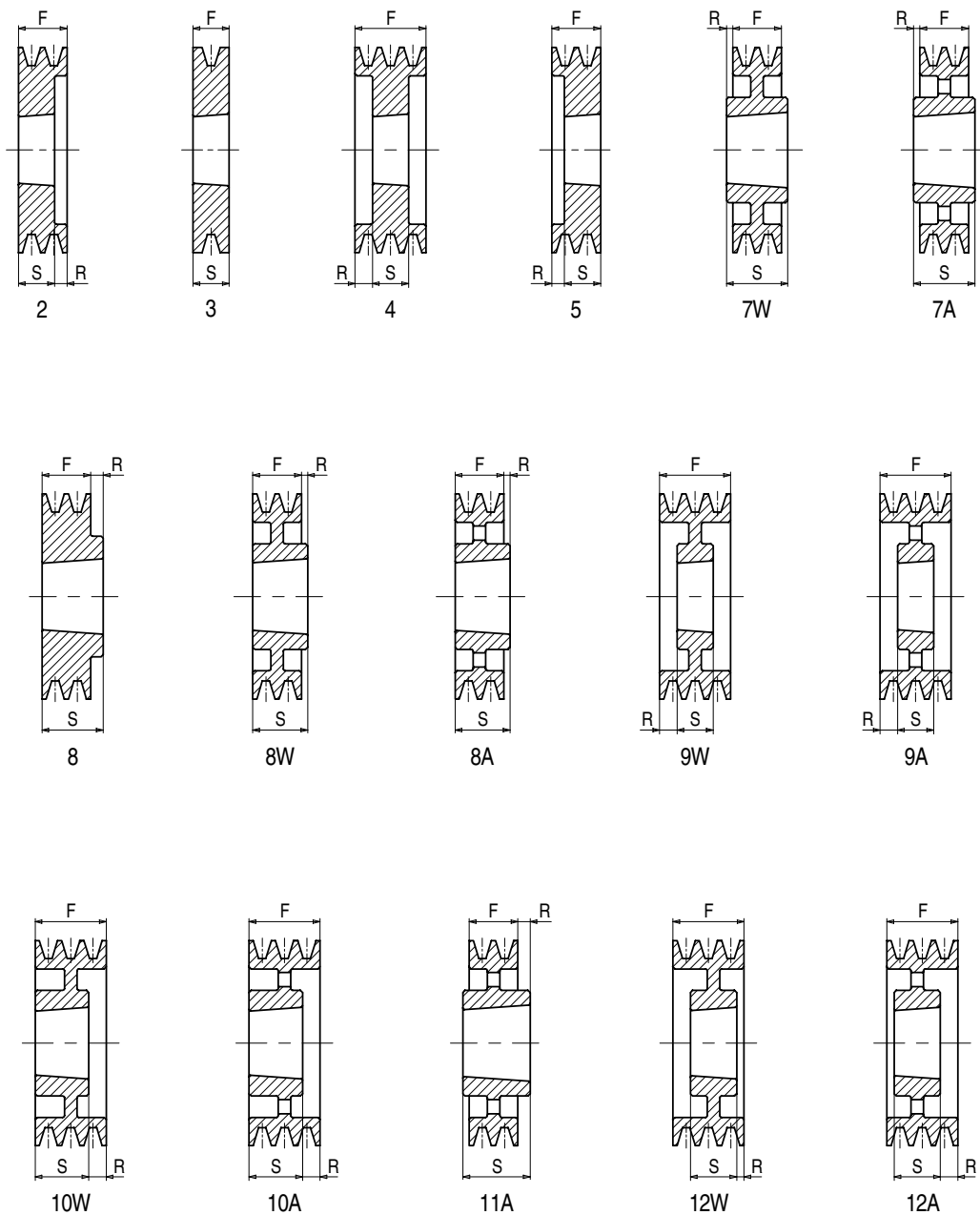
PL Keilriemenscheiben für Spannbuchse **POGGILOCK**[®]

Poulies trapézoïdales PL pour moyeu amovible **POGGILOCK**[®]

Poleas trapeziales PL para casquillo cónico **POGGILOCK**[®]

Forme costruttive

Designe features - Konstruktionsmerkmale - Caractéristiques - Características





Pulegge a gola PL per bussola conica **POGGILOCK**[®]

PL V-belt pulleys for taperbushes **POGGILOCK**[®]

PL Keilriemenscheiben für Spannbuchse **POGGILOCK**[®]

Poulies trapézoïdales PL pour moyeu amovible **POGGILOCK**[®]

Poleas trapeziales PL para casquillo cónico **POGGILOCK**[®]

Le pulegge a gola PL sono realizzate con materiale di qualità. Hanno un grado di finitura tale da assicurare un perfetto accoppiamento con le cinghie e garantire l'ottimo funzionamento della trasmissione. Il dimensionamento delle gole è stato realizzato in modo che si possano montare le cinghie: **NORMAL**[®], **NORMALUSA**[®], **NORMALMEC**[®] e **LINEA-X**.

All PL V-belt pulleys are made from high quality material. The very accurate finishing enables the perfect matching with the belts and assures the best running of the drive. The dimensions of the grooves allow the mounting of the following belts:

NORMAL[®], **NORMALUSA**[®], **NORMALMEC**[®] and **LINEA-X**.

Le pulegge sono predisposte per il montaggio della bussola conica di serraggio **POGGILOCK**[®], le cui caratteristiche si trovano a pag. 131. Tutte le dimensioni sono in mm.

The pulleys are fit for the mounting of **POGGILOCK**[®] bushes. Their features can be found at page 131.

All dimensions are in mm.

Alle PL-Keilriemenscheiben sind aus Material von hoher Qualität gemacht.

Der sehr genaue Fertigstellung ermöglicht das perfekte Anpassen mit den Riemen und sichert das beste Laufen des Antriebes. Die Abmessungen von den Rillen erlauben das Aufstellen von den folgenden Riemen:

NORMAL[®], **NORMALUSA**[®], **NORMALMEC**[®] und **LINEA-X**. Die Riemenscheiben sind fähig für den Aufstellen von **POGGILOCK**[®] Buchsen. Ihre Kennzeichen können auf Seite 131 gefunden werden. Alle Abmessungen sind in mm.

Les poulies trapézoïdales PL sont fabriquées en utilisant un matériel de haute qualité. Elles ont un degré de finition qui assure un parfait assemblage avec les courroies et qui garantit le fonctionnement optimal de la transmission.

Les dimensions des gorges permettent le montage des ces courroies: **NORMAL**[®], **NORMALUSA**[®], **NORMALMEC**[®] et **LINEA-X**. Les poulies sont aptes pour le montage des moyeux **POGGILOCK**[®], dont les caractéristiques se trouvent à la page 131. Toutes les dimensions sont en mm.

Las poleas trapeziales PL se fabrican en un material de la más alta calidad.

Tienen un grado de acabado tal que puede asegurar un perfecto encaje con las correas y el funcionamiento impecable de la transmisión.

Las dimensiones de los canales permiten el montaje de las siguientes correas: **NORMAL**[®], **NORMALUSA**[®], **NORMALMEC**[®] y **LINEA-X**. Las poleas son aptas para el montaje con el casquillo **POGGILOCK**[®], cuyas características se hallan en la página 131. Todas las dimensiones son en mm.

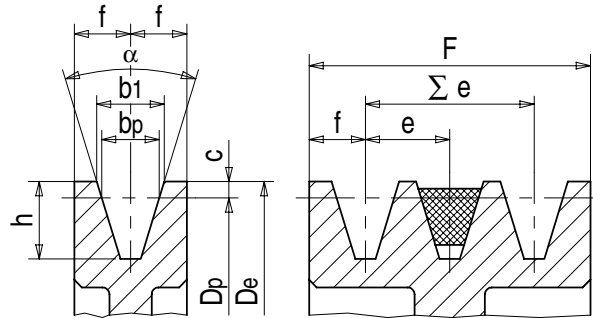
Dimensioni delle gole

Dimensions of grooves

Abmessungen der Rillen

Dimensions des gorges

Dimensiones de los canales



| Sezione - Section - Profil - Section - Perfil | | SPZ | SPA | SPB | SPC | |
|---|---|--------|--------|----------|----------|-------|
| | bp | 8,5 | 11 | 14 | 19 | |
| | b1≈ | 9,7 | 12,7 | 16,3 | 22 | |
| | c | 2 | 2,8 | 3,5 | 4,8 | |
| | e | 12±0,3 | 15±0,3 | 19±0,4 | 25,5±0,5 | |
| | f | 8±0,6 | 10±0,6 | 12,5±0,8 | 17±1 | |
| | h | 11 | 14 | 18 | 24 | |
| | $\alpha = \frac{34^\circ}{38^\circ}$ | Dp = | ≤80 | ≤118 | ≤190 | ≤315 |
| | | Dp = | >80 | >118 | >190 | >315 |
| α Tolleranza-Tolerance-Fertigungstoleranz-Tolérance-Tolerancia | | | ±1° | ±1° | ±1° | ±30' |
| F | N° Gole Grooves Rillen Gorges Canales | 1 | 16 | 20 | 25 | - |
| | | 2 | 28 | 35 | 44 | 59,5 |
| | | 3 | 40 | 50 | 63 | 85 |
| | | 4 | 52 | 65 | 82 | 110,5 |
| | | 5 | 64 | 80 | 101 | 136 |
| | | 6 | - | - | 120 | 161,5 |
| | | 7 | - | - | - | - |
| | | 8 | - | - | 158 | 212,5 |
| | | 9 | - | - | - | - |
| | | 10 | - | - | - | 263,5 |
| | | 11 | - | - | - | - |
| | | 12 | - | - | - | - |
| Σe Tolleranza-Tolerance-Fertigungstoleranz-Tolérance-Tolerancia | | | ±0,6 | ±0,6 | ±0,6 | ±0,6 |



Pulegge a gola PL per bussola conica **POGGILOCK®**

PL V-belt pulleys for taperbushes **POGGILOCK®**

PL Keilriemenscheiben für Spannbuchse **POGGILOCK®**

Poulies trapézoïdales PL pour moyeu amovible **POGGILOCK®**

Poleas trapeciales PL para casquillo cónico **POGGILOCK®**

Diametro primitivo minimo delle pulegge raccomandato dalle norme ISO R 459 e DIN 2211:

Minimum pulley pitch diameter recommended by ISO R 459 and DIN 2211:

Empfohlener Mindest-Wirkdurchmesser der Scheiben nach ISO R 459 und DIN 2211:

Diamètre primitif minimum des poulies recommandé par ISO R 459 et DIN 2211:

Diámetro primitivo mínimo de las poleas recomendado por ISO R 459 y DIN 2211:

LINEA-X
NORMAL®
NORMALMEC®
NORMALUSA®

Z
SPZ
3V

Dp 56
Dp 60
Dp 63
Dp 71

Z - SPZ - 3V

| Materiale Material Werkstoff Materiel Material | Codice Item number Codierung Code Código | Descrizione Designation Bezeichnung Désignation Referencia | Dp mm | N° Gole Grooves Rillen Gorges Canales | Bussola Bush Buchse Moyeu Casquillo | Foro Bore Bohrung Alésage Agujero max mm | F mm | R mm | S mm | Peso Weight Gewicht Poids Peso kg |
|--|--|--|----------|---|---|--|---------|---------|---------|--|
| Ghisa Cast iron - Grauguß - Fonte - Fundición | 20Z006001 | PL 1 SPZ 60 -type 3 | 60 | 1 | 1008 | 25 | 22,0 | - | 22 | 0,28 |
| | 20Z006002 | PL 2 SPZ 60 -type 5 | 60 | 2 | 1108 | 28 | 49,0 | 27,0 | 22 | 0,62 |
| | 20Z006301 | PL 1 SPZ 63 -type 8 | 63 | 1 | 1108 | 28 | 16,0 | 6,0 | 22 | 0,27 |
| | 20Z006302 | PL 2 SPZ 63 -type 5 | 63 | 2 | 1108 | 28 | 28,0 | 6,0 | 22 | 0,29 |
| | 20Z006303 | PL 3 SPZ 63 -type 5 | 63 | 3 | 1108 | 28 | 40,0 | 18,0 | 22 | 0,43 |
| | 20Z006701 | PL 1 SPZ 67 -type 8 | 67 | 1 | 1108 | 28 | 16,0 | 6,0 | 22 | 0,32 |
| | 20Z006702 | PL 2 SPZ 67 -type 5 | 67 | 2 | 1108 | 28 | 28,0 | 6,0 | 22 | 0,38 |
| | 20Z006703 | PL 3 SPZ 67 -type 5 | 67 | 3 | 1108 | 28 | 40,0 | 18,0 | 22 | 0,60 |
| | 20Z007101 | PL 1 SPZ 71 -type 8 | 71 | 1 | 1108 | 28 | 16,0 | 6,0 | 22 | 0,38 |
| | 20Z007102 | PL 2 SPZ 71 -type 5 | 71 | 2 | 1108 | 28 | 28,0 | 6,0 | 22 | 0,46 |
| | 20Z007103 | PL 3 SPZ 71 -type 5 | 71 | 3 | 1108 | 28 | 40,0 | 18,0 | 22 | 0,60 |
| | 20Z007501 | PL 1 SPZ 75 -type 8 | 75 | 1 | 1108 | 28 | 16,0 | 6,0 | 22 | 0,42 |
| | 20Z007502 | PL 2 SPZ 75 -type 5 | 75 | 2 | 1210 | 32 | 28,0 | 3,0 | 25 | 0,40 |
| | 20Z007503 | PL 3 SPZ 75 -type 5 | 75 | 3 | 1210 | 32 | 40,0 | 15,0 | 25 | 0,58 |
| | 20Z008001 | PL 1 SPZ 80 -type 8 | 80 | 1 | 1210 | 32 | 16,0 | 9,0 | 25 | 0,52 |
| | 20Z008002 | PL 2 SPZ 80 -type 5 | 80 | 2 | 1210 | 32 | 28,0 | 3,0 | 25 | 0,50 |
| | 20Z008003 | PL 3 SPZ 80 -type 5 | 80 | 3 | 1210 | 32 | 40,0 | 15,0 | 25 | 0,80 |
| | 20Z008004 | PL 4 SPZ 80 -type 5 | 80 | 4 | 1210 | 32 | 52,0 | 27,0 | 25 | 0,85 |
| | 20Z008501 | PL 1 SPZ 85 -type 8 | 85 | 1 | 1210 | 32 | 16,0 | 9,0 | 25 | 0,59 |
| | 20Z008502 | PL 2 SPZ 85 -type 5 | 85 | 2 | 1610 | 42 | 28,0 | 3,0 | 25 | 0,52 |
| | 20Z008503 | PL 3 SPZ 85 -type 5 | 85 | 3 | 1610 | 42 | 40,0 | 15,0 | 25 | 0,80 |
| | 20Z008504 | PL 4 SPZ 85 -type 5 | 85 | 4 | 1610 | 42 | 52,0 | 27,0 | 25 | 0,85 |
| | 20Z008505 | PL 5 SPZ 85 -type 5 | 85 | 5 | 1610 | 42 | 64,0 | 39,0 | 25 | 1,00 |
| | 20Z009001 | PL 1 SPZ 90 -type 8 | 90 | 1 | 1210 | 32 | 16,0 | 9,0 | 25 | 0,66 |
| | 20Z009002 | PL 2 SPZ 90 -type 5 | 90 | 2 | 1610 | 42 | 28,0 | 3,0 | 25 | 0,63 |
| | 20Z009003 | PL 3 SPZ 90 -type 5 | 90 | 3 | 1610 | 42 | 40,0 | 15,0 | 25 | 1,00 |
| | 20Z009004 | PL 4 SPZ 90 -type 5 | 90 | 4 | 1610 | 42 | 52,0 | 27,0 | 25 | 1,00 |
| | 20Z009005 | PL 5 SPZ 90 -type 5 | 90 | 5 | 1610 | 42 | 64,0 | 39,0 | 25 | 1,20 |
| | 20Z009501 | PL 1 SPZ 95 -type 8 | 95 | 1 | 1210 | 32 | 16,0 | 9,0 | 25 | 1,00 |
| | 20Z009502 | PL 2 SPZ 95 -type 5 | 95 | 2 | 1610 | 42 | 28,0 | 3,0 | 25 | 0,77 |
| | 20Z009503 | PL 3 SPZ 95 -type 5 | 95 | 3 | 1610 | 42 | 40,0 | 15,0 | 25 | 1,05 |
| | 20Z009504 | PL 4 SPZ 95 -type 5 | 95 | 4 | 1610 | 42 | 52,0 | 27,0 | 25 | 1,30 |
| | 20Z009505 | PL 5 SPZ 95 -type 5 | 95 | 5 | 1610 | 42 | 64,0 | 39,0 | 25 | 1,40 |
| | 20Z010001 | PL 1 SPZ 100 -type 8 | 100 | 1 | 1210 | 32 | 16,0 | 9,0 | 25 | 1,00 |
| | 20Z010002 | PL 2 SPZ 100 -type 5 | 100 | 2 | 1610 | 42 | 28,0 | 3,0 | 25 | 1,05 |
| | 20Z010003 | PL 3 SPZ 100 -type 5 | 100 | 3 | 1610 | 42 | 40,0 | 15,0 | 25 | 1,14 |



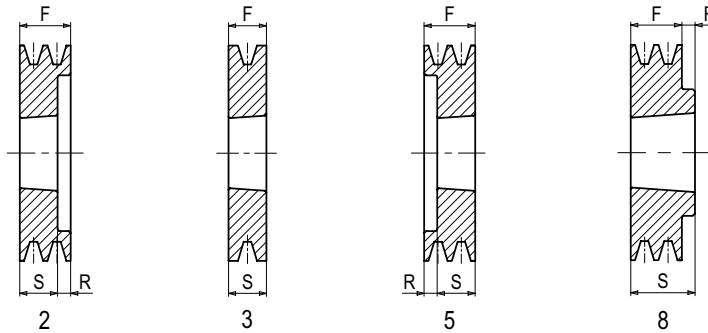
Pulegge a gola PL per bussola conica **POGGILOCK®**

PL V-belt pulleys for taperbushes **POGGILOCK®**

PL Keilriemenscheiben für Spannbuchse **POGGILOCK®**

Poulies trapézoïdales PL pour moyeu amovible **POGGILOCK®**

Poleas trapeciales PL para casquillo cónico **POGGILOCK®**



Z - SPZ - 3V

| Materiale Material Werkstoff Matériel Material | Codice Item number Codierung Code Código | Descrizione Designation Bezeichnung Désignation Referencia | Dp mm | N° Gole Grooves Rillen Gorges Canales | Bussola Bush Buchse Moyeu Casquillo | Foro Bore Bohrung Alésage Agujero max mm | F mm | R mm | S mm | Peso Weight Gewicht Poids Peso kg |
|--|--|--|----------|---|---|--|---------|---------|---------|--|
| Ghisa Cast iron - Grauguß - Fonte - Fundición | 20Z010004 | PL 4 SPZ 100 -type 5 | 100 | 4 | 1610 | 42 | 52,0 | 27,0 | 25 | 1,45 |
| | 20Z010005 | PL 5 SPZ 100 -type 5 | 100 | 5 | 2012 | 50 | 64,0 | 32,0 | 32 | 1,50 |
| | 20Z010601 | PL 1 SPZ 106 -type 8 | 106 | 1 | 1610 | 42 | 16,0 | 9,0 | 25 | 0,95 |
| | 20Z010602 | PL 2 SPZ 106 -type 5 | 106 | 2 | 1610 | 42 | 28,0 | 3,0 | 25 | 1,10 |
| | 20Z010603 | PL 3 SPZ 106 -type 5 | 106 | 3 | 1610 | 42 | 40,0 | 15,0 | 25 | 1,40 |
| | 20Z010604 | PL 4 SPZ 106 -type 5 | 106 | 4 | 1610 | 42 | 52,0 | 27,0 | 25 | 1,55 |
| | 20Z010605 | PL 5 SPZ 106 -type 5 | 106 | 5 | 2012 | 50 | 64,0 | 32,0 | 32 | 1,75 |
| | 20Z011201 | PL 1 SPZ 112 -type 8 | 112 | 1 | 1610 | 42 | 16,0 | 9,0 | 25 | 1,00 |
| | 20Z011202 | PL 2 SPZ 112 -type 5 | 112 | 2 | 1610 | 42 | 28,0 | 3,0 | 25 | 1,25 |
| | 20Z011203 | PL 3 SPZ 112 -type 5 | 112 | 3 | 2012 | 50 | 40,0 | 8,0 | 32 | 1,38 |
| | 20Z011204 | PL 4 SPZ 112 -type 5 | 112 | 4 | 2012 | 50 | 52,0 | 20,0 | 32 | 1,70 |
| | 20Z011205 | PL 5 SPZ 112 -type 5 | 112 | 5 | 2012 | 50 | 64,0 | 32,0 | 32 | 1,95 |
| | 20Z011801 | PL 1 SPZ 118 -type 8 | 118 | 1 | 1610 | 42 | 16,0 | 9,0 | 25 | 1,20 |
| | 20Z011802 | PL 2 SPZ 118 -type 5 | 118 | 2 | 1610 | 42 | 28,0 | 3,0 | 25 | 1,45 |
| | 20Z011803 | PL 3 SPZ 118 -type 5 | 118 | 3 | 2012 | 50 | 40,0 | 8,0 | 32 | 1,50 |
| | 20Z011804 | PL 4 SPZ 118 -type 5 | 118 | 4 | 2012 | 50 | 52,0 | 20,0 | 32 | 2,00 |
| | 20Z011805 | PL 5 SPZ 118 -type 5 | 118 | 5 | 2012 | 50 | 64,0 | 32,0 | 32 | 2,35 |
| | 20Z012501 | PL 1 SPZ 125 -type 8 | 125 | 1 | 1610 | 42 | 16,0 | 9,0 | 25 | 1,19 |
| | 20Z012502 | PL 2 SPZ 125 -type 5 | 125 | 2 | 1610 | 42 | 28,0 | 3,0 | 25 | 1,60 |
| | 20Z012503 | PL 3 SPZ 125 -type 2 | 125 | 3 | 2012 | 50 | 40,0 | 8,0 | 32 | 1,80 |
| | 20Z012504 | PL 4 SPZ 125 -type 2 | 125 | 4 | 2012 | 50 | 52,0 | 20,0 | 32 | 2,25 |
| | 20Z012505 | PL 5 SPZ 125 -type 5 | 125 | 5 | 2012 | 50 | 64,0 | 32,0 | 32 | 2,60 |
| | 20Z013201 | PL 1 SPZ 132 -type 8 | 132 | 1 | 1610 | 42 | 16,0 | 9,0 | 25 | 1,37 |
| | 20Z013202 | PL 2 SPZ 132 -type 5 | 132 | 2 | 1610 | 42 | 28,0 | 3,0 | 25 | 2,00 |
| | 20Z013203 | PL 3 SPZ 132 -type 2 | 132 | 3 | 2012 | 50 | 40,0 | 8,0 | 32 | 2,25 |
| | 20Z013204 | PL 4 SPZ 132 -type 2 | 132 | 4 | 2012 | 50 | 52,0 | 20,0 | 32 | 2,45 |
| | 20Z013205 | PL 5 SPZ 132 -type 5 | 132 | 5 | 2517 | 60 | 64,0 | 19,0 | 45 | 2,80 |
| | 20Z014001 | PL 1 SPZ 140 -type 8 | 140 | 1 | 1610 | 42 | 16,0 | 9,0 | 25 | 1,60 |
| | 20Z014002 | PL 2 SPZ 140 -type 5 | 140 | 2 | 1610 | 42 | 28,0 | 3,0 | 25 | 2,05 |
| | 20Z014003 | PL 3 SPZ 140 -type 2 | 140 | 3 | 2012 | 50 | 40,0 | 8,0 | 32 | 2,64 |
| | 20Z014004 | PL 4 SPZ 140 -type 2 | 140 | 4 | 2012 | 50 | 52,0 | 20,0 | 32 | 3,00 |
| | 20Z014005 | PL 5 SPZ 140 -type 2 | 140 | 5 | 2517 | 60 | 64,0 | 19,0 | 45 | 3,30 |
| | 20Z015001 | PL 1 SPZ 150 -type 8 | 150 | 1 | 1610 | 42 | 16,0 | 9,0 | 25 | 1,82 |
| | 20Z015002 | PL 2 SPZ 150 -type 8 | 150 | 2 | 2012 | 50 | 28,0 | 4,0 | 32 | 2,72 |
| | 20Z015003 | PL 3 SPZ 150 -type 2 | 150 | 3 | 2012 | 50 | 40,0 | 8,0 | 32 | 3,20 |
| | 20Z015004 | PL 4 SPZ 150 -type 2 | 150 | 4 | 2517 | 60 | 52,0 | 7,0 | 45 | 3,60 |
| | 20Z015005 | PL 5 SPZ 150 -type 2 | 150 | 5 | 2517 | 60 | 64,0 | 19,0 | 45 | 4,15 |



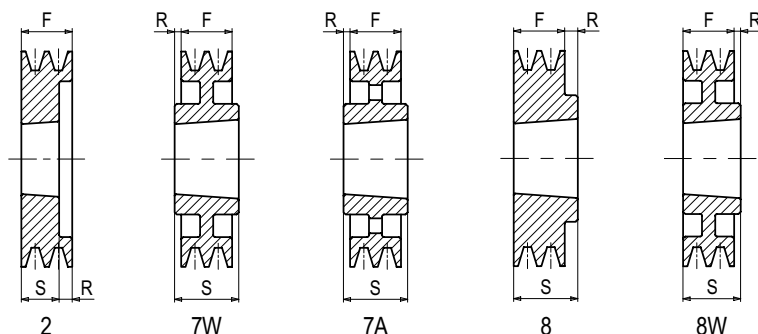
Pulegge a gola PL per bussola conica **POGGILOCK®**

PL V-belt pulleys for taperbushes **POGGILOCK®**

PL Keilriemenscheiben für Spannbuchse **POGGILOCK®**

Poules trapézoïdales PL pour moyeu amovible **POGGILOCK®**

Poleas trapeciales PL para casquillo cónico **POGGILOCK®**



Z - SPZ - 3V

| Materiale Material Werkstoff Matériel Material | Codice Item number Codierung Code Código | Descrizione Designation Bezeichnung Désignation Referencia | Dp mm | N° Gole Grooves Rillen Gorges Canales | Bussola Bush Buchse Moyeu Casquillo | Foro Bore Bohrung Alésage Agujero max mm | F mm | R mm | S mm | Peso Weight Gewicht Poids Peso kg |
|--|--|--|----------|---|---|--|---------|---------|---------|--|
| Ghisa Cast iron - Grauguß - Fonte - Fundición | 20Z016001 | PL 1 SPZ 160 -type 8 | 160 | 1 | 1610 | 42 | 16,0 | 9,0 | 25 | 2,15 |
| | 20Z016002 | PL 2 SPZ 160 -type 8W | 160 | 2 | 2012 | 50 | 28,0 | 4,0 | 32 | 2,94 |
| | 20Z016003 | PL 3 SPZ 160 -type 2 | 160 | 3 | 2012 | 50 | 40,0 | 8,0 | 32 | 3,80 |
| | 20Z016004 | PL 4 SPZ 160 -type 2 | 160 | 4 | 2517 | 60 | 52,0 | 7,0 | 45 | 4,48 |
| | 20Z016005 | PL 5 SPZ 160 -type 2 | 160 | 5 | 2517 | 60 | 64,0 | 19,0 | 45 | 4,90 |
| | 20Z018001 | PL 1 SPZ 180 -type 8W | 180 | 1 | 1610 | 42 | 16,0 | 9,0 | 25 | 1,90 |
| | 20Z018002 | PL 2 SPZ 180 -type 8W | 180 | 2 | 2012 | 50 | 28,0 | 4,0 | 32 | 3,10 |
| | 20Z018003 | PL 3 SPZ 180 -type 10W | 180 | 3 | 2012 | 50 | 40,0 | 8,0 | 32 | 3,40 |
| | 20Z018004 | PL 4 SPZ 180 -type 10W | 180 | 4 | 2517 | 60 | 52,0 | 7,0 | 45 | 5,10 |
| | 20Z018005 | PL 5 SPZ 180 -type 10W | 180 | 5 | 2517 | 60 | 64,0 | 19,0 | 45 | 6,40 |
| | 20Z020001 | PL 1 SPZ 200 -type 7W | 200 | 1 | 2012 | 50 | 16,0 | 8,0 | 32 | 2,80 |
| | 20Z020002 | PL 2 SPZ 200 -type 8W | 200 | 2 | 2012 | 50 | 28,0 | 4,0 | 32 | 3,40 |
| | 20Z020003 | PL 3 SPZ 200 -type 9W | 200 | 3 | 2012 | 50 | 40,0 | 4,0 | 32 | 3,80 |
| | 20Z020004 | PL 4 SPZ 200 -type 9W | 200 | 4 | 2517 | 60 | 52,0 | 3,5 | 45 | 5,20 |
| | 20Z020005 | PL 5 SPZ 200 -type 9W | 200 | 5 | 2517 | 60 | 64,0 | 9,5 | 45 | 6,45 |
| | 20Z022401 | PL 1 SPZ 224 -type 8W | 224 | 1 | 2012 | 50 | 16,0 | 16,0 | 32 | 3,20 |
| | 20Z022402 | PL 2 SPZ 224 -type 8W | 224 | 2 | 2012 | 50 | 28,0 | 4,0 | 32 | 3,80 |
| | 20Z022403 | PL 3 SPZ 224 -type 9W | 224 | 3 | 2012 | 50 | 40,0 | 4,0 | 32 | 4,50 |
| | 20Z022404 | PL 4 SPZ 224 -type 9W | 224 | 4 | 2517 | 60 | 52,0 | 3,5 | 45 | 7,00 |
| | 20Z022405 | PL 5 SPZ 224 -type 9W | 224 | 5 | 2517 | 60 | 64,0 | 9,5 | 45 | 8,50 |
| | 20Z025001 | PL 1 SPZ 250 -type 7A | 250 | 1 | 2012 | 50 | 16,0 | 8,0 | 32 | 3,45 |
| | 20Z025002 | PL 2 SPZ 250 -type 7A | 250 | 2 | 2012 | 50 | 28,0 | 2,0 | 32 | 3,90 |
| | 20Z025003 | PL 3 SPZ 250 -type 9A | 250 | 3 | 2012 | 50 | 40,0 | 4,0 | 32 | 4,55 |
| | 20Z025004 | PL 4 SPZ 250 -type 9A | 250 | 4 | 2517 | 60 | 52,0 | 3,5 | 45 | 6,20 |
| | 20Z025005 | PL 5 SPZ 250 -type 9A | 250 | 5 | 2517 | 60 | 64,0 | 9,5 | 45 | 7,30 |
| | 20Z028001 | PL 1 SPZ 280 -type 7A | 280 | 1 | 2012 | 50 | 16,0 | 8,0 | 32 | 3,60 |
| | 20Z028002 | PL 2 SPZ 280 -type 7A | 280 | 2 | 2012 | 50 | 28,0 | 2,0 | 32 | 4,30 |
| | 20Z028003 | PL 3 SPZ 280 -type 7A | 280 | 3 | 2517 | 60 | 40,0 | 2,5 | 45 | 6,30 |
| | 20Z028004 | PL 4 SPZ 280 -type 9A | 280 | 4 | 2517 | 60 | 52,0 | 3,5 | 45 | 6,60 |
| | 20Z028005 | PL 5 SPZ 280 -type 9A | 280 | 5 | 2517 | 60 | 64,0 | 9,5 | 45 | 9,80 |
| | 20Z030001 | PL 1 SPZ 300 -type 8A | 300 | 1 | 2012 | 50 | 16,0 | 16,0 | 32 | 4,50 |
| | 20Z030002 | PL 2 SPZ 300 -type 8A | 300 | 2 | 2012 | 50 | 28,0 | 4,0 | 32 | 5,20 |
| | 20Z030003 | PL 3 SPZ 300 -type 8A | 300 | 3 | 2517 | 60 | 40,0 | 5,0 | 45 | 7,00 |
| | 20Z030004 | PL 4 SPZ 300 -type 8A | 300 | 4 | 2517 | 60 | 52,0 | 7,0 | 45 | 8,20 |
| | 20Z030005 | PL 5 SPZ 300 -type 10A | 300 | 5 | 2517 | 60 | 64,0 | 19,0 | 45 | 9,50 |
| | 20Z031501 | PL 1 SPZ 315 -type 7A | 315 | 1 | 2012 | 50 | 16,0 | 8,0 | 32 | 3,80 |
| | 20Z031502 | PL 2 SPZ 315 -type 7A | 315 | 2 | 2012 | 50 | 28,0 | 2,0 | 32 | 5,50 |
| | 20Z031503 | PL 3 SPZ 315 -type 7A | 315 | 3 | 2517 | 60 | 40,0 | 2,5 | 45 | 7,40 |



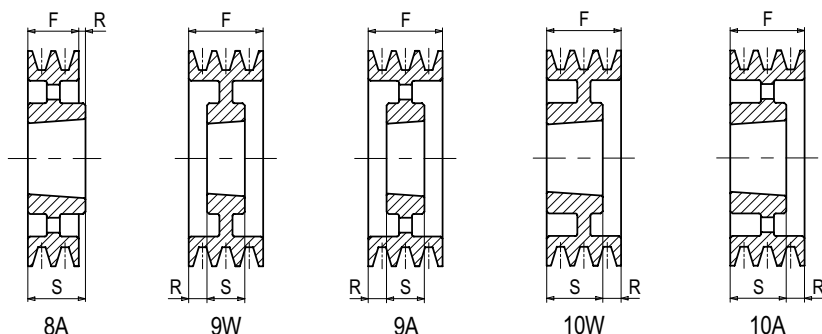
Pulegge a gola PL per bussola conica **POGGILOCK®**

PL V-belt pulleys for taperbushes **POGGILOCK®**

PL Keilriemenscheiben für Spannbuchse **POGGILOCK®**

Poules trapézoïdales PL pour moyeu amovible **POGGILOCK®**

Poleas trapeciales PL para casquillo cónico **POGGILOCK®**



Z - SPZ - 3V

| Materiale Material Werkstoff Matériel Material | Codice Item number Codierung Code Código | Descrizione Designation Bezeichnung Désignation Referencia | Dp mm | N° Gole Grooves Rillen Gorges Canales | Bussola Bush Buchse Moyeu Casquillo | Foro Bore Bohrung Alésage Agujero max mm | F mm | R mm | S mm | Peso Weight Gewicht Poids Peso kg |
|--|--|--|----------|---|---|--|---------|---------|---------|--|
| Ghisa Cast iron - Grauguß - Fonte - Fundición | 20Z031504 | PL 4 SPZ 315 -type 9A | 315 | 4 | 2517 | 60 | 52,0 | 3,5 | 45 | 8,70 |
| | 20Z031505 | PL 5 SPZ 315 -type 9A | 315 | 5 | 2517 | 60 | 64,0 | 9,5 | 45 | 10,00 |
| | 20Z035501 | PL 1 SPZ 355 -type 7A | 355 | 1 | 2012 | 50 | 16,0 | 8,0 | 32 | 6,00 |
| | 20Z035502 | PL 2 SPZ 355 -type 7A | 355 | 2 | 2012 | 50 | 28,0 | 2,0 | 32 | 6,40 |
| | 20Z035503 | PL 3 SPZ 355 -type 7A | 355 | 3 | 2517 | 60 | 40,0 | 2,5 | 45 | 8,50 |
| | 20Z035504 | PL 4 SPZ 355 -type 9A | 355 | 4 | 2517 | 60 | 52,0 | 3,5 | 45 | 10,40 |
| | 20Z035505 | PL 5 SPZ 355 -type 9A | 355 | 5 | 2517 | 60 | 64,0 | 9,5 | 45 | 12,20 |
| | 20Z040001 | PL 1 SPZ 400 -type 7A | 400 | 1 | 2012 | 50 | 16,0 | 8,0 | 32 | 7,10 |
| | 20Z040002 | PL 2 SPZ 400 -type 7A | 400 | 2 | 2517 | 60 | 28,0 | 8,5 | 45 | 7,80 |
| | 20Z040003 | PL 3 SPZ 400 -type 7A | 400 | 3 | 2517 | 60 | 40,0 | 2,5 | 45 | 9,50 |
| | 20Z040004 | PL 4 SPZ 400 -type 9A | 400 | 4 | 2517 | 60 | 52,0 | 3,5 | 45 | 11,90 |
| | 20Z040005 | PL 5 SPZ 400 -type 9A | 400 | 5 | 3020 | 75 | 64,0 | 6,5 | 51 | 17,20 |
| | 20Z045002 | PL 2 SPZ 450 -type 7A | 450 | 2 | 2517 | 60 | 28,0 | 8,5 | 45 | 11,00 |
| | 20Z045003 | PL 3 SPZ 450 -type 7A | 450 | 3 | 2517 | 60 | 40,0 | 2,5 | 45 | 12,00 |
| | 20Z045004 | PL 4 SPZ 450 -type 9A | 450 | 4 | 3020 | 75 | 52,0 | 0,5 | 51 | 17,00 |
| | 20Z045005 | PL 5 SPZ 450 -type 10W | 450 | 5 | 3020 | 75 | 64,0 | 13,0 | 51 | 16,80 |
| | 20Z050002 | PL 2 SPZ 500 -type 8A | 500 | 2 | 2517 | 60 | 28,0 | 17,0 | 45 | 12,00 |
| | 20Z050003 | PL 3 SPZ 500 -type 7A | 500 | 3 | 2517 | 60 | 40,0 | 2,5 | 45 | 15,40 |
| | 20Z050004 | PL 4 SPZ 500 -type 9A | 500 | 4 | 3020 | 75 | 52,0 | 0,5 | 51 | 20,00 |
| | 20Z050005 | PL 5 SPZ 500 -type 7A | 500 | 5 | 3030 | 75 | 64,0 | 6,0 | 76 | 22,00 |



Pulegge a gola PL per bussola conica **POGGILOCK**[®]

PL V-belt pulleys for taperbushes **POGGILOCK**[®]

PL Keilriemenscheiben für Spannbuchse **POGGILOCK**[®]

Poulies trapézoïdales PL pour moyeu amovible **POGGILOCK**[®]

Poleas trapeciales PL para casquillo cónico **POGGILOCK**[®]

Diametro primitivo minimo delle pulegge raccomandato dalle norme ISO R 459 e DIN 2211:

Minimum pulley pitch diameter recommended by ISO R 459 and DIN 2211:
Empfohlener Mindest-Wirkdurchmesser der Scheiben nach ISO R 459 und DIN 2211:
Diamètre primitif minimum des poulies recommandé par ISO R 459 et DIN 2211:
Diámetro primitivo mínimo de las poleas recomendado por ISO R 459 y DIN 2211:

LINEA-X
NORMAL[®] A Dp 80
NORMALMEC[®] SPA Dp 85
Dp 90

• Queste pulegge possono montare solo le cinghie **NORMAL**[®].

• These pulleys can operate with **NORMAL**[®] belts only.

• Diese Scheiben können nur mit **NORMAL**[®] Keilriemen benutzt werden.

• Ces poulies ne permettent que l'assemblage avec le courroies **NORMAL**[®].

• Estas poleas sólo pueden montar las correas **NORMAL**[®].

A - SPA

| Materiale Material Werkstoff Matériel Material | Codice Item number Codierung Code Código | Descrizione Designation Bezeichnung Désignation Referencia | Dp mm | N° Gole Grooves Rillen Gorges Canales | Bussola Bush Buchse Moyeu Casquillo | Foro Bore Bohrung Alésage Agujero max mm | F mm | R mm | S mm | Peso Weight Gewicht Poids Peso kg |
|--|--|--|----------|---|---|--|---------|---------|---------|--|
| Ghisa Cast iron - Grauguß - Fonte - Fundición | • 20A006301 | PL 1 A 63 -type 8 | 63 | 1 | 1008 | 25 | 20,0 | 2,0 | 22 | 0,27 |
| | • 20A006701 | PL 1 A 67 -type 8 | 67 | 1 | 1108 | 28 | 20,0 | 2,0 | 22 | 0,31 |
| | • 20A006702 | PL 2 A 67 -type 5 | 67 | 2 | 1108 | 28 | 35,0 | 13,0 | 22 | 0,44 |
| | • 20A007101 | PL 1 A 71 -type 8 | 71 | 1 | 1108 | 28 | 20,0 | 2,0 | 22 | 0,36 |
| | • 20A007102 | PL 2 A 71 -type 5 | 71 | 2 | 1108 | 28 | 35,0 | 13,0 | 22 | 0,54 |
| | • 20A007103 | PL 3 A 71 -type 5 | 71 | 3 | 1108 | 28 | 50,0 | 28,0 | 22 | 0,80 |
| | • 20A007501 | PL 1 A 75 -type 8 | 75 | 1 | 1108 | 28 | 20,0 | 2,0 | 22 | 0,43 |
| | • 20A007502 | PL 2 A 75 -type 5 | 75 | 2 | 1108 | 28 | 35,0 | 13,0 | 22 | 0,60 |
| | • 20A007503 | PL 3 A 75 -type 5 | 75 | 3 | 1108 | 28 | 50,0 | 28,0 | 22 | 1,00 |
| | • 20A008001 | PL 1 A 80 -type 8 | 80 | 1 | 1210 | 32 | 20,0 | 5,0 | 25 | 0,48 |
| | • 20A008002 | PL 2 A 80 -type 5 | 80 | 2 | 1210 | 32 | 35,0 | 10,0 | 25 | 0,64 |
| | • 20A008003 | PL 3 A 80 -type 5 | 80 | 3 | 1210 | 32 | 50,0 | 25,0 | 25 | 1,00 |
| | • 20A008501 | PL 1 A 85 -type 8 | 85 | 1 | 1210 | 32 | 20,0 | 5,0 | 25 | 0,60 |
| | • 20A008502 | PL 2 A 85 -type 5 | 85 | 2 | 1210 | 32 | 35,0 | 10,0 | 25 | 0,75 |
| | • 20A008503 | PL 3 A 85 -type 5 | 85 | 3 | 1210 | 32 | 50,0 | 25,0 | 25 | 1,20 |
| | 20A009001 | PL 1 SPA 90 -type 8 | 90 | 1 | 1210 | 32 | 20,0 | 5,0 | 25 | 0,70 |
| | 20A009002 | PL 2 SPA 90 -type 5 | 90 | 2 | 1610 | 42 | 35,0 | 10,0 | 25 | 0,80 |
| | 20A009003 | PL 3 SPA 90 -type 5 | 90 | 3 | 1610 | 42 | 50,0 | 25,0 | 25 | 1,05 |
| | 20A009004 | PL 4 SPA 90 -type 4 | 90 | 4 | 1615 | 42 | 65,0 | 13,5 | 38 | 1,40 |
| | 20A009501 | PL 1 SPA 95 -type 8 | 95 | 1 | 1210 | 32 | 20,0 | 5,0 | 25 | 0,80 |
| | 20A009502 | PL 2 SPA 95 -type 5 | 95 | 2 | 1610 | 42 | 35,0 | 10,0 | 25 | 0,87 |
| | 20A009503 | PL 3 SPA 95 -type 5 | 95 | 3 | 1610 | 42 | 50,0 | 25,0 | 25 | 1,20 |
| | 20A009504 | PL 4 SPA 95 -type 5 | 95 | 4 | 1615 | 42 | 65,0 | 27,0 | 38 | 1,54 |
| | 20A010001 | PL 1 SPA 100 -type 8 | 100 | 1 | 1610 | 42 | 20,0 | 5,0 | 25 | 0,90 |
| | 20A010002 | PL 2 SPA 100 -type 5 | 100 | 2 | 1610 | 42 | 35,0 | 10,0 | 25 | 1,10 |
| | 20A010003 | PL 3 SPA 100 -type 2 | 100 | 3 | 1610 | 42 | 50,0 | 25,0 | 25 | 1,30 |
| | 20A010004 | PL 4 SPA 100 -type 2 | 100 | 4 | 1615 | 42 | 65,0 | 27,0 | 38 | 1,67 |
| | 20A010005 | PL 5 SPA 100 -type 2 | 100 | 5 | 1615 | 42 | 80,0 | 42,0 | 38 | 2,18 |
| | 20A010601 | PL 1 SPA 106 -type 8 | 106 | 1 | 1610 | 42 | 20,0 | 5,0 | 25 | 1,00 |
| | 20A010602 | PL 2 SPA 106 -type 5 | 106 | 2 | 1610 | 42 | 35,0 | 10,0 | 25 | 1,18 |
| | 20A010603 | PL 3 SPA 106 -type 2 | 106 | 3 | 1610 | 42 | 50,0 | 25,0 | 25 | 1,60 |
| | 20A010604 | PL 4 SPA 106 -type 5 | 106 | 4 | 2012 | 50 | 65,0 | 33,0 | 32 | 1,80 |
| | 20A010605 | PL 5 SPA 106 -type 5 | 106 | 5 | 2012 | 50 | 80,0 | 48,0 | 32 | 2,40 |
| | 20A011201 | PL 1 SPA 112 -type 8 | 112 | 1 | 1610 | 42 | 20,0 | 5,0 | 25 | 1,10 |
| | 20A011202 | PL 2 SPA 112 -type 5 | 112 | 2 | 1610 | 42 | 35,0 | 10,0 | 25 | 1,38 |
| | 20A011203 | PL 3 SPA 112 -type 5 | 112 | 3 | 2012 | 50 | 50,0 | 18,0 | 32 | 1,65 |
| | 20A011204 | PL 4 SPA 112 -type 5 | 112 | 4 | 2012 | 50 | 65,0 | 33,0 | 32 | 2,00 |
| | 20A011205 | PL 5 SPA 112 -type 5 | 112 | 5 | 2012 | 50 | 80,0 | 48,0 | 32 | 2,50 |



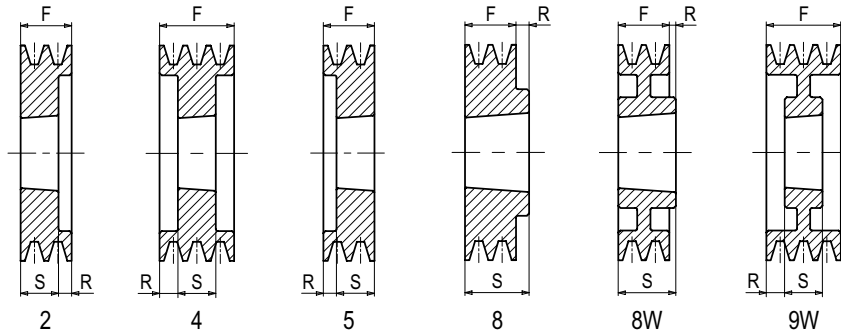
Pulegge a gola PL per bussola conica **POGGILOCK®**

PL V-belt pulleys for taperbushes **POGGILOCK®**

PL Keilriemenscheiben für Spannbuchse **POGGILOCK®**

Poulies trapézoïdales PL pour moyeu amovible **POGGILOCK®**

Poleas trapeciales PL para casquillo cónico **POGGILOCK®**



A - SPA

| Materiale Material Werkstoff Matériel Material | Codice Item number Codierung Code Código | Descrizione Designation Bezeichnung Désignation Referencia | Dp mm | N° Gole Grooves Rillen Gorges Canales | Bussola Bush Buchse Moyeu Casquillo | Foro Bore Bohrung Alésage Agujero max mm | F mm | R mm | S mm | Peso Weight Gewicht Poids Peso kg |
|--|--|--|----------|---|---|--|---------|---------|---------|--|
| Ghisa Cast iron - Grauguß - Fonte - Fundición | 20A011801 | PL 1 SPA 118 -type 8 | 118 | 1 | 1610 | 42 | 20,0 | 5,0 | 25 | 1,25 |
| | 20A011802 | PL 2 SPA 118 -type 5 | 118 | 2 | 1610 | 42 | 35,0 | 10,0 | 25 | 1,60 |
| | 20A011803 | PL 3 SPA 118 -type 2 | 118 | 3 | 2012 | 50 | 50,0 | 18,0 | 32 | 1,90 |
| | 20A011804 | PL 4 SPA 118 -type 2 | 118 | 4 | 2012 | 50 | 65,0 | 33,0 | 32 | 2,30 |
| | 20A011805 | PL 5 SPA 118 -type 2 | 118 | 5 | 2012 | 50 | 80,0 | 48,0 | 32 | 2,60 |
| | 20A012501 | PL 1 SPA 125 -type 8 | 125 | 1 | 1610 | 42 | 20,0 | 5,0 | 25 | 1,50 |
| | 20A012502 | PL 2 SPA 125 -type 5 | 125 | 2 | 1610 | 42 | 35,0 | 10,0 | 25 | 1,83 |
| | 20A012503 | PL 3 SPA 125 -type 2 | 125 | 3 | 2012 | 50 | 50,0 | 18,0 | 32 | 2,40 |
| | 20A012504 | PL 4 SPA 125 -type 2 | 125 | 4 | 2012 | 50 | 65,0 | 33,0 | 32 | 2,80 |
| | 20A012505 | PL 5 SPA 125 -type 4 | 125 | 5 | 2012 | 50 | 80,0 | 24,0 | 32 | 3,05 |
| | 20A013201 | PL 1 SPA 132 -type 8 | 132 | 1 | 1610 | 42 | 20,0 | 5,0 | 25 | 1,60 |
| | 20A013202 | PL 2 SPA 132 -type 5 | 132 | 2 | 2012 | 50 | 35,0 | 3,0 | 32 | 2,10 |
| | 20A013203 | PL 3 SPA 132 -type 2 | 132 | 3 | 2012 | 50 | 50,0 | 18,0 | 32 | 2,50 |
| | 20A013204 | PL 4 SPA 132 -type 2 | 132 | 4 | 2517 | 60 | 65,0 | 20,0 | 45 | 2,80 |
| | 20A013205 | PL 5 SPA 132 -type 4 | 132 | 5 | 2517 | 60 | 80,0 | 17,5 | 45 | 3,30 |
| | 20A014001 | PL 1 SPA 140 -type 8 | 140 | 1 | 1610 | 42 | 20,0 | 5,0 | 25 | 1,80 |
| | 20A014002 | PL 2 SPA 140 -type 5 | 140 | 2 | 2012 | 50 | 35,0 | 3,0 | 32 | 2,40 |
| | 20A014003 | PL 3 SPA 140 -type 5 | 140 | 3 | 2517 | 60 | 50,0 | 5,0 | 45 | 2,85 |
| | 20A014004 | PL 4 SPA 140 -type 2 | 140 | 4 | 2517 | 60 | 65,0 | 20,0 | 45 | 3,40 |
| | 20A014005 | PL 5 SPA 140 -type 4 | 140 | 5 | 2517 | 60 | 80,0 | 17,5 | 45 | 4,10 |
| | 20A015001 | PL 1 SPA 150 -type 8 | 150 | 1 | 1610 | 42 | 20,0 | 5,0 | 25 | 2,10 |
| | 20A015002 | PL 2 SPA 150 -type 5 | 150 | 2 | 2012 | 50 | 35,0 | 3,0 | 32 | 2,92 |
| | 20A015003 | PL 3 SPA 150 -type 5 | 150 | 3 | 2517 | 60 | 50,0 | 5,0 | 45 | 3,60 |
| | 20A015004 | PL 4 SPA 150 -type 2 | 150 | 4 | 2517 | 60 | 65,0 | 20,0 | 45 | 4,20 |
| | 20A015005 | PL 5 SPA 150 -type 4 | 150 | 5 | 2517 | 60 | 80,0 | 17,5 | 45 | 4,80 |
| | 20A016001 | PL 1 SPA 160 -type 8 | 160 | 1 | 1610 | 42 | 20,0 | 5,0 | 25 | 2,45 |
| | 20A016002 | PL 2 SPA 160 -type 5 | 160 | 2 | 2012 | 50 | 35,0 | 3,0 | 32 | 3,50 |
| | 20A016003 | PL 3 SPA 160 -type 5 | 160 | 3 | 2517 | 60 | 50,0 | 5,0 | 45 | 4,30 |
| | 20A016004 | PL 4 SPA 160 -type 2 | 160 | 4 | 2517 | 60 | 65,0 | 20,0 | 45 | 4,80 |
| | 20A016005 | PL 5 SPA 160 -type 4 | 160 | 5 | 2517 | 60 | 80,0 | 17,5 | 45 | 5,40 |
| | 20A017001 | PL 1 SPA 170 -type 8 | 170 | 1 | 1610 | 42 | 20,0 | 5,0 | 25 | 1,93 |
| | 20A017002 | PL 2 SPA 170 -type 5 | 170 | 2 | 2012 | 50 | 35,0 | 3,0 | 32 | 4,07 |
| | 20A017003 | PL 3 SPA 170 -type 5 | 170 | 3 | 2517 | 60 | 50,0 | 5,0 | 45 | 5,20 |
| | 20A017004 | PL 4 SPA 170 -type 2 | 170 | 4 | 2517 | 60 | 65,0 | 20,0 | 45 | 5,70 |
| | 20A017005 | PL 5 SPA 170 -type 4 | 170 | 5 | 2517 | 60 | 80,0 | 17,5 | 45 | 6,20 |
| | 20A018001 | PL 1 SPA 180 -type 8W | 180 | 1 | 1610 | 42 | 20,0 | 5,0 | 25 | 2,00 |
| | 20A018002 | PL 2 SPA 180 -type 9W | 180 | 2 | 2012 | 50 | 35,0 | 1,5 | 32 | 3,20 |
| | 20A018003 | PL 3 SPA 180 -type 5 | 180 | 3 | 2517 | 60 | 50,0 | 5,0 | 45 | 6,00 |
| | 20A018004 | PL 4 SPA 180 -type 2 | 180 | 4 | 2517 | 60 | 65,0 | 20,0 | 45 | 6,60 |
| | 20A018005 | PL 5 SPA 180 -type 4 | 180 | 5 | 3020 | 75 | 80,0 | 14,5 | 51 | 6,60 |



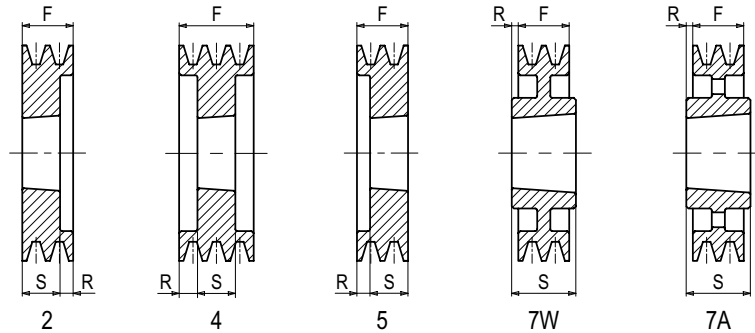
Pulegge a gola PL per bussola conica **POGGILOCK®**

PL V-belt pulleys for taperbushes **POGGILOCK®**

PL Keilriemenscheiben für Spannbuchse **POGGILOCK®**

Poulies trapézoïdales PL pour moyeu amovible **POGGILOCK®**

Poleas trapeciales PL para casquillo cónico **POGGILOCK®**



A - SPA

| Materiale Material Werkstoff Matériel Material | Codice Item number Codierung Code Código | Descrizione Designation Bezeichnung Désignation Referencia | Dp mm | N° Gole Grooves Rillen Gorges Canales | Bussola Bush Buchse Moyeu Casquillo | Foro Bore Bohrung Alésage Agujero max mm | F mm | R mm | S mm | Peso Weight Gewicht Poids Peso kg |
|--|--|--|----------|---|---|--|---------|---------|---------|--|
| Ghisa Cast iron - Grauguß - Fonte - Fundición | 20A019001 | PL 1 SPA 190 -type 8W | 190 | 1 | 1610 | 42 | 20,0 | 5,0 | 25 | 2,40 |
| | 20A019002 | PL 2 SPA 190 -type 9W | 190 | 2 | 2012 | 50 | 35,0 | 1,5 | 32 | 3,60 |
| | 20A019003 | PL 3 SPA 190 -type 5 | 190 | 3 | 2517 | 60 | 50,0 | 5,0 | 45 | 7,10 |
| | 20A019004 | PL 4 SPA 190 -type 2 | 190 | 4 | 2517 | 60 | 65,0 | 20,0 | 45 | 7,80 |
| | 20A019005 | PL 5 SPA 190 -type 4 | 190 | 5 | 3020 | 75 | 80,0 | 14,5 | 51 | 7,80 |
| | 20A020001 | PL 1 SPA 200 -type 8W | 200 | 1 | 2012 | 50 | 20,0 | 12,0 | 32 | 3,00 |
| | 20A020002 | PL 2 SPA 200 -type 7W | 200 | 2 | 2517 | 60 | 35,0 | 5,0 | 45 | 4,90 |
| | 20A020003 | PL 3 SPA 200 -type 9W | 200 | 3 | 2517 | 60 | 50,0 | 2,5 | 45 | 6,00 |
| | 20A020004 | PL 4 SPA 200 -type 2 | 200 | 4 | 3020 | 75 | 65,0 | 14,0 | 51 | 8,20 |
| | 20A020005 | PL 5 SPA 200 -type 4 | 200 | 5 | 3020 | 75 | 80,0 | 14,5 | 51 | 8,20 |
| | 20A021201 | PL 1 SPA 212 -type 8W | 212 | 1 | 2012 | 50 | 20,0 | 12,0 | 32 | 3,40 |
| | 20A021202 | PL 2 SPA 212 -type 7W | 212 | 2 | 2517 | 60 | 35,0 | 5,0 | 45 | 5,00 |
| | 20A021203 | PL 3 SPA 212 -type 9W | 212 | 3 | 2517 | 60 | 50,0 | 2,5 | 45 | 6,50 |
| | 20A021204 | PL 4 SPA 212 -type 2 | 212 | 4 | 3020 | 75 | 65,0 | 14,0 | 51 | 9,60 |
| | 20A021205 | PL 5 SPA 212 -type 2 | 212 | 5 | 3020 | 75 | 80,0 | 29,0 | 51 | 10,40 |
| | 20A022401 | PL 1 SPA 224 -type 8W | 224 | 1 | 2012 | 50 | 20,0 | 12,0 | 32 | 3,60 |
| | 20A022402 | PL 2 SPA 224 -type 7W | 224 | 2 | 2517 | 60 | 35,0 | 5,0 | 45 | 5,40 |
| | 20A022403 | PL 3 SPA 224 -type 9W | 224 | 3 | 2517 | 60 | 50,0 | 2,5 | 45 | 6,60 |
| | 20A022404 | PL 4 SPA 224 -type 10W | 224 | 4 | 3020 | 75 | 65,0 | 14,0 | 51 | 8,00 |
| | 20A022405 | PL 5 SPA 224 -type 2 | 224 | 5 | 3020 | 75 | 80,0 | 29,0 | 51 | 10,90 |
| | 20A023601 | PL 1 SPA 236 -type 8W | 236 | 1 | 2012 | 50 | 20,0 | 12,0 | 32 | 3,50 |
| | 20A023602 | PL 2 SPA 236 -type 8W | 236 | 2 | 2517 | 60 | 35,0 | 10,0 | 45 | 5,90 |
| | 20A023603 | PL 3 SPA 236 -type 9W | 236 | 3 | 2517 | 60 | 50,0 | 2,5 | 45 | 7,00 |
| | 20A023604 | PL 4 SPA 236 -type 10W | 236 | 4 | 3020 | 75 | 65,0 | 14,0 | 51 | 11,10 |
| | 20A023605 | PL 5 SPA 236 -type 2 | 236 | 5 | 3020 | 75 | 80,0 | 29,0 | 51 | 11,80 |
| | 20A025001 | PL 1 SPA 250 -type 8W | 250 | 1 | 2012 | 50 | 20,0 | 12,0 | 32 | 3,90 |
| | 20A025002 | PL 2 SPA 250 -type 7W | 250 | 2 | 2517 | 60 | 35,0 | 5,0 | 45 | 5,80 |
| | 20A025003 | PL 3 SPA 250 -type 9W | 250 | 3 | 2517 | 60 | 50,0 | 2,5 | 45 | 7,30 |
| | 20A025004 | PL 4 SPA 250 -type 9W | 250 | 4 | 3020 | 75 | 65,0 | 7,0 | 51 | 9,30 |
| | 20A025005 | PL 5 SPA 250 -type 9W | 250 | 5 | 3020 | 75 | 80,0 | 14,5 | 51 | 11,00 |
| | 20A028001 | PL 1 SPA 280 -type 8W | 280 | 1 | 2012 | 50 | 20,0 | 12,0 | 32 | 4,40 |
| | 20A028002 | PL 2 SPA 280 -type 8W | 280 | 2 | 2517 | 60 | 35,0 | 10,0 | 45 | 6,00 |
| | 20A028003 | PL 3 SPA 280 -type 9W | 280 | 3 | 2517 | 60 | 50,0 | 2,5 | 45 | 8,60 |
| | 20A028004 | PL 4 SPA 280 -type 9W | 280 | 4 | 3020 | 75 | 65,0 | 7,0 | 51 | 10,00 |
| | 20A028005 | PL 5 SPA 280 -type 7W | 280 | 5 | 3535 | 90 | 80,0 | 4,5 | 89 | 14,40 |
| | 20A030001 | PL 1 SPA 300 -type 8A | 300 | 1 | 2012 | 50 | 20,0 | 12,0 | 32 | 4,60 |
| | 20A030002 | PL 2 SPA 300 -type 8A | 300 | 2 | 2517 | 60 | 35,0 | 10,0 | 45 | 6,50 |
| | 20A030003 | PL 3 SPA 300 -type 8A | 300 | 3 | 3020 | 75 | 50,0 | 1,0 | 51 | 9,50 |
| | 20A030004 | PL 4 SPA 300 -type 9A | 300 | 4 | 3020 | 75 | 65,0 | 7,0 | 51 | 12,00 |
| | 20A030005 | PL 5 SPA 300 -type 8A | 300 | 5 | 3535 | 90 | 80,0 | 9,0 | 89 | 17,00 |



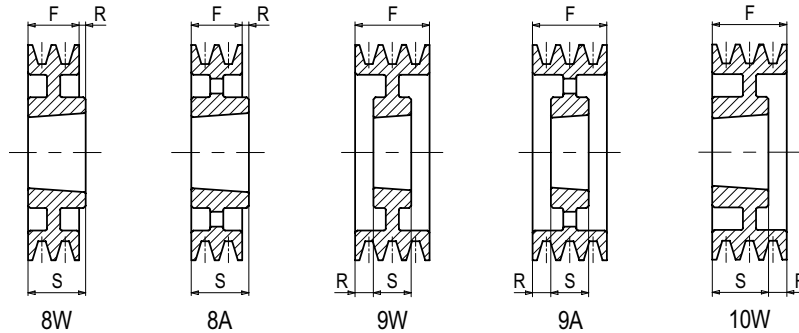
Pulegge a gola PL per bussola conica **POGGILOCK®**

PL V-belt pulleys for taperbushes **POGGILOCK®**

PL Keilriemenscheiben für Spannbuchse **POGGILOCK®**

Poulies trapézoïdales PL pour moyeu amovible **POGGILOCK®**

Poleas trapeciales PL para casquillo cónico **POGGILOCK®**



A - SPA

| Materiale Material Werkstoff Matériel Material | Codice Item number Codierung Code Código | Descrizione Designation Bezeichnung Désignation Referencia | Dp mm | N° Gole Grooves Rillen Gorges Canales | Bussola Bush Buchse Moyeu Casquillo | Foro Bore Bohrung Alésage Agujero max mm | F mm | R mm | S mm | Peso Weight Gewicht Poids Peso kg |
|--|--|--|----------|---|---|--|---------|---------|---------|--|
| Ghisa Cast iron - Grauguß - Fonte - Fundición | 20A031501 | PL 1 SPA 315 -type 8A | 315 | 1 | 2012 | 50 | 20,0 | 12,0 | 32 | 4,70 |
| | 20A031502 | PL 2 SPA 315 -type 8A | 315 | 2 | 2517 | 60 | 35,0 | 10,0 | 45 | 8,00 |
| | 20A031503 | PL 3 SPA 315 -type 7W | 315 | 3 | 3020 | 75 | 50,0 | 0,5 | 51 | 10,70 |
| | 20A031504 | PL 4 SPA 315 -type 9W | 315 | 4 | 3020 | 75 | 65,0 | 7,0 | 51 | 12,60 |
| | 20A031505 | PL 5 SPA 315 -type 7W | 315 | 5 | 3535 | 90 | 80,0 | 4,5 | 89 | 17,20 |
| | 20A035501 | PL 1 SPA 355 -type 8A | 355 | 1 | 2012 | 50 | 20,0 | 12,0 | 32 | 5,60 |
| | 20A035502 | PL 2 SPA 355 -type 8A | 355 | 2 | 2517 | 60 | 35,0 | 10,0 | 45 | 9,00 |
| | 20A035503 | PL 3 SPA 355 -type 7A | 355 | 3 | 3020 | 75 | 50,0 | 0,5 | 51 | 11,00 |
| | 20A035504 | PL 4 SPA 355 -type 9A | 355 | 4 | 3020 | 75 | 65,0 | 7,0 | 51 | 13,00 |
| | 20A035505 | PL 5 SPA 355 -type 7A | 355 | 5 | 3535 | 90 | 80,0 | 4,5 | 89 | 21,40 |
| | 20A040001 | PL 1 SPA 400 -type 8A | 400 | 1 | 2012 | 50 | 20,0 | 12,0 | 32 | 6,50 |
| | 20A040002 | PL 2 SPA 400 -type 8A | 400 | 2 | 2517 | 60 | 35,0 | 10,0 | 45 | 9,50 |
| | 20A040003 | PL 3 SPA 400 -type 7A | 400 | 3 | 3020 | 75 | 50,0 | 0,5 | 51 | 15,20 |
| | 20A040004 | PL 4 SPA 400 -type 9A | 400 | 4 | 3020 | 75 | 65,0 | 7,0 | 51 | 17,00 |
| | 20A040005 | PL 5 SPA 400 -type 7A | 400 | 5 | 3535 | 90 | 80,0 | 4,5 | 89 | 23,20 |
| | 20A045001 | PL 1 SPA 450 -type 8A | 450 | 1 | 2012 | 50 | 20,0 | 12,0 | 32 | 9,30 |
| | 20A045002 | PL 2 SPA 450 -type 8A | 450 | 2 | 2517 | 60 | 35,0 | 10,0 | 45 | 14,00 |
| | 20A045003 | PL 3 SPA 450 -type 7A | 450 | 3 | 3020 | 75 | 50,0 | 0,5 | 51 | 18,80 |
| | 20A045004 | PL 4 SPA 450 -type 9A | 450 | 4 | 3020 | 75 | 65,0 | 7,0 | 51 | 19,00 |
| | 20A045005 | PL 5 SPA 450 -type 7A | 450 | 5 | 3535 | 90 | 80,0 | 4,5 | 89 | 25,90 |
| | 20A050001 | PL 1 SPA 500 -type 8A | 500 | 1 | 2517 | 60 | 20,0 | 25,0 | 45 | 12,50 |
| | 20A050002 | PL 2 SPA 500 -type 8A | 500 | 2 | 2517 | 60 | 35,0 | 10,0 | 45 | 14,70 |
| | 20A050003 | PL 3 SPA 500 -type 7A | 500 | 3 | 3020 | 75 | 50,0 | 0,5 | 51 | 19,90 |
| | 20A050004 | PL 4 SPA 500 -type 9A | 500 | 4 | 3020 | 75 | 65,0 | 7,0 | 51 | 21,60 |
| | 20A050005 | PL 5 SPA 500 -type 7A | 500 | 5 | 3535 | 90 | 80,0 | 4,5 | 89 | 30,30 |
| | 20A056002 | PL 2 SPA 560 -type 8A | 560 | 2 | 3020 | 75 | 35,0 | 16,0 | 51 | 16,00 |
| | 20A056003 | PL 3 SPA 560 -type 7A | 560 | 3 | 3020 | 75 | 50,0 | 0,5 | 51 | 21,60 |
| | 20A056004 | PL 4 SPA 560 -type 7A | 560 | 4 | 3535 | 90 | 65,0 | 12,0 | 89 | 31,00 |
| | 20A056005 | PL 5 SPA 560 -type 7A | 560 | 5 | 3535 | 90 | 80,0 | 4,5 | 89 | 33,80 |
| | 20A063002 | PL 2 SPA 630 -type 8A | 630 | 2 | 3020 | 75 | 35,0 | 16,0 | 51 | 23,00 |
| | 20A063003 | PL 3 SPA 630 -type 7A | 630 | 3 | 3020 | 75 | 50,0 | 0,5 | 51 | 27,80 |
| | 20A063004 | PL 4 SPA 630 -type 7A | 630 | 4 | 3535 | 90 | 65,0 | 12,0 | 89 | 39,00 |
| | 20A063005 | PL 5 SPA 630 -type 7A | 630 | 5 | 3535 | 90 | 80,0 | 4,5 | 89 | 43,00 |
| | 20A080003 | PL 3 SPA 800 -type 7A | 800 | 3 | 3535 | 90 | 50,0 | 19,5 | 89 | 42,00 |
| | 20A080004 | PL 4 SPA 800 -type 7A | 800 | 4 | 3535 | 90 | 65,0 | 12,0 | 89 | 55,00 |
| | 20A080005 | PL 5 SPA 800 -type 7A | 800 | 5 | 4040 | 100 | 80,0 | 11,0 | 102 | 71,00 |



Pulegge a gola PL per bussola conica **POGGILOCK®**

PL V-belt pulleys for taperbushes **POGGILOCK®**

PL Keilriemenscheiben für Spannbuchse **POGGILOCK®**

Poulies trapézoïdales PL pour moyeu amovible **POGGILOCK®**

Poleas trapeziales PL para casquillo cónico **POGGILOCK®**

Diametro primitivo minimo delle pulegge raccomandato dalle norme ISO R 459 e DIN 2211:

Minimum pulley pitch diameter recommended by ISO R 459 and DIN 2211:
Empfohlener Mindest-Wirkdurchmesser der Scheiben nach ISO R 459 und DIN 2211:
Diamètre primitif minimum des poulies recommandé par ISO R 459 et DIN 2211:
Diámetro primitivo mínimo de las poleas recomendado por ISO R 459 y DIN 2211:

LINEA-X
NORMAL®
NORMALMEC®
NORMALUSA®

B
SPB
5V

Dp 112
Dp 125
Dp 140
Dp 170

• Queste pulegge possono montare solo le cinghie **NORMAL®**.

• These pulleys can operate with **NORMAL®** belts only.

• Diese Scheiben können nur mit **NORMAL®** Keilriemen benutzt werden.

• Ces poulies ne permettent que l'assemblage avec les courroies **NORMAL®**.

• Estas poleas sólo pueden montar las correas **NORMAL®**.

B - SPB - 5V

| Materiale Material Werkstoff Matériel Material | Codice Item number Codierung Code Código | Descrizione Designation Bezeichnung Désignation Referencia | Dp mm | N° Gole Grooves Rillen Gorges Canales | Bussola Bush Buchse Moyeu Casquillo | Foro Bore Bohrung Alésage Agujero max mm | F mm | R mm | S mm | Peso Weight Gewicht Poids Peso kg |
|--|--|--|----------|---|---|--|---------|---------|---------|--|
| Ghisa Cast iron - Grauguß - Fonte - Fundición | • 20B010001 | PL 1 B 100 -type 3 | 100 | 1 | 1610 | 42 | 25,0 | - | 25 | 0,76 |
| | • 20B010002 | PL 2 B 100 -type 5 | 100 | 2 | 1610 | 42 | 44,0 | 19,0 | 25 | 1,20 |
| | • 20B010003 | PL 3 B 100 -type 5 | 100 | 3 | 1610 | 42 | 63,0 | 38,0 | 25 | 1,60 |
| | • 20B010601 | PL 1 B 106 -type 3 | 106 | 1 | 1610 | 42 | 25,0 | - | 25 | 1,00 |
| | • 20B010602 | PL 2 B 106 -type 5 | 106 | 2 | 1610 | 42 | 44,0 | 19,0 | 25 | 1,45 |
| | • 20B010603 | PL 3 B 106 -type 5 | 106 | 3 | 1610 | 42 | 63,0 | 38,0 | 25 | 2,00 |
| | • 20B011201 | PL 1 B 112 -type 3 | 112 | 1 | 1610 | 42 | 25,0 | - | 25 | 1,00 |
| | • 20B011202 | PL 2 B 112 -type 5 | 112 | 2 | 1610 | 42 | 44,0 | 19,0 | 25 | 1,60 |
| | • 20B011203 | PL 3 B 112 -type 5 | 112 | 3 | 1610 | 42 | 63,0 | 38,0 | 25 | 2,20 |
| | • 20B011801 | PL 1 B 118 -type 3 | 118 | 1 | 1610 | 42 | 25,0 | - | 25 | 1,27 |
| | • 20B011802 | PL 2 B 118 -type 2 | 118 | 2 | 1610 | 42 | 44,0 | 19,0 | 25 | 1,90 |
| | • 20B011803 | PL 3 B 118 -type 2 | 118 | 3 | 1610 | 42 | 63,0 | 38,0 | 25 | 2,45 |
| | • 20B012501 | PL 1 B 125 -type 3 | 125 | 1 | 1610 | 42 | 25,0 | - | 25 | 1,60 |
| | • 20B012502 | PL 2 B 125 -type 2 | 125 | 2 | 2012 | 50 | 44,0 | 12,0 | 32 | 1,90 |
| | • 20B012503 | PL 3 B 125 -type 2 | 125 | 3 | 2012 | 50 | 63,0 | 31,0 | 32 | 2,60 |
| | • 20B012504 | PL 4 B 125 -type 4 | 125 | 4 | 2012 | 50 | 82,0 | 25,0 | 32 | 3,20 |
| | • 20B012505 | PL 5 B 125 -type 5 | 125 | 5 | 2012 | 50 | 101,0 | 69,0 | 32 | 3,80 |
| | • 20B013201 | PL 1 B 132 -type 3 | 132 | 1 | 1610 | 42 | 25,0 | - | 25 | 1,70 |
| | • 20B013202 | PL 2 B 132 -type 2 | 132 | 2 | 2012 | 50 | 44,0 | 12,0 | 32 | 2,20 |
| | • 20B013203 | PL 3 B 132 -type 2 | 132 | 3 | 2012 | 50 | 63,0 | 31,0 | 32 | 2,80 |
| | • 20B013204 | PL 4 B 132 -type 4 | 132 | 4 | 2012 | 50 | 82,0 | 25,0 | 32 | 3,65 |
| | • 20B013205 | PL 5 B 132 -type 5 | 132 | 5 | 2517 | 60 | 101,0 | 56,0 | 45 | 4,05 |
| | 20B014001 | PL 1 SPB 140 -type 3 | 140 | 1 | 1610 | 42 | 25,0 | - | 25 | 2,02 |
| | 20B014002 | PL 2 SPB 140 -type 2 | 140 | 2 | 2012 | 50 | 44,0 | 12,0 | 32 | 2,60 |
| | 20B014003 | PL 3 SPB 140 -type 2 | 140 | 3 | 2012 | 50 | 63,0 | 31,0 | 32 | 3,40 |
| | 20B014004 | PL 4 SPB 140 -type 4 | 140 | 4 | 2517 | 60 | 82,0 | 18,5 | 45 | 3,90 |
| | 20B014005 | PL 5 SPB 140 -type 4 | 140 | 5 | 2517 | 60 | 101,0 | 28,0 | 45 | 4,40 |
| | 20B014006 | PL 6 SPB 140 -type 4 | 140 | 6 | 2517 | 60 | 120,0 | 37,5 | 45 | 5,35 |
| | 20B014008 | PL 8 SPB 140 -type 4 | 140 | 8 | 2517 | 60 | 158,0 | 56,5 | 45 | 7,00 |
| | 20B015001 | PL 1 SPB 150 -type 3 | 150 | 1 | 1610 | 42 | 25,0 | - | 25 | 2,50 |
| | 20B015002 | PL 2 SPB 150 -type 2 | 150 | 2 | 2012 | 50 | 44,0 | 12,0 | 32 | 3,10 |
| | 20B015003 | PL 3 SPB 150 -type 2 | 150 | 3 | 2517 | 60 | 63,0 | 18,0 | 45 | 3,85 |
| | 20B015004 | PL 4 SPB 150 -type 4 | 150 | 4 | 2517 | 60 | 82,0 | 18,5 | 45 | 4,60 |
| | 20B015005 | PL 5 SPB 150 -type 4 | 150 | 5 | 2517 | 60 | 101,0 | 28,0 | 45 | 5,30 |
| | 20B015006 | PL 6 SPB 150 -type 4 | 150 | 6 | 2517 | 60 | 120,0 | 37,5 | 45 | 6,20 |
| | 20B016001 | PL 1 SPB 160 -type 3 | 160 | 1 | 1610 | 42 | 25,0 | - | 25 | 2,80 |
| | 20B016002 | PL 2 SPB 160 -type 2 | 160 | 2 | 2012 | 50 | 44,0 | 12,0 | 32 | 3,60 |
| | 20B016003 | PL 3 SPB 160 -type 2 | 160 | 3 | 2517 | 60 | 63,0 | 18,0 | 45 | 4,60 |
| | 20B016004 | PL 4 SPB 160 -type 4 | 160 | 4 | 2517 | 60 | 82,0 | 18,5 | 45 | 5,60 |
| | 20B016005 | PL 5 SPB 160 -type 4 | 160 | 5 | 2517 | 60 | 101,0 | 28,0 | 45 | 6,60 |
| | 20B016006 | PL 6 SPB 160 -type 4 | 160 | 6 | 3020 | 75 | 120,0 | 34,5 | 51 | 6,40 |
| | 20B016008 | PL 8 SPB 160 -type 4 | 160 | 8 | 3020 | 75 | 158,0 | 53,5 | 51 | 8,00 |
| | 20B017001 | PL 1 SPB 170 -type 3 | 170 | 1 | 1610 | 42 | 25,0 | - | 25 | 3,25 |
| | 20B017002 | PL 2 SPB 170 -type 2 | 170 | 2 | 2012 | 50 | 44,0 | 12,0 | 32 | 4,30 |



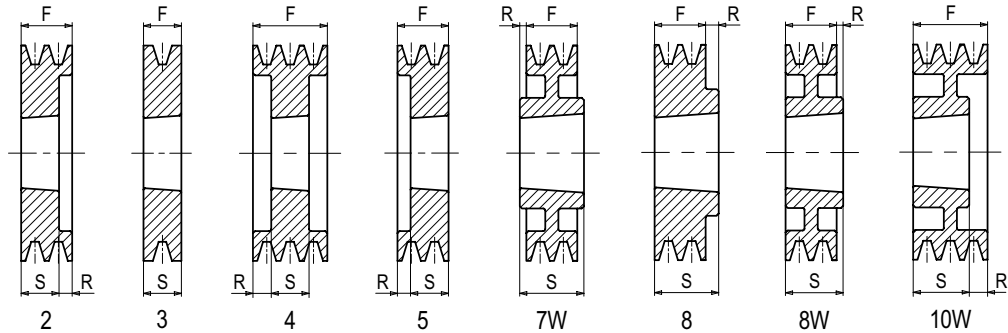
Pulegge a gola PL per bussola conica **POGGILOCK®**

PL V-belt pulleys for taperbushes **POGGILOCK®**

PL Keilriemenscheiben für Spannbuchse **POGGILOCK®**

Poulies trapézoïdales PL pour moyeu amovible **POGGILOCK®**

Poleas trapeciales PL para casquillo cónico **POGGILOCK®**



B - SPB - 5V

| Materiale Material Werkstoff Matériel Material | Codice Item number Codierung Code Código | Descrizione Designation Bezeichnung Désignation Referencia | Dp mm | N° Gole Grooves Rillen Gorges Canales | Bussola Bush Buchse Moyeu Casquillo | Foro Bore Bohrung Alésage Agujero max mm | F mm | R mm | S mm | Peso Weight Gewicht Poids Peso kg |
|--|--|--|--------------|---|---|--|-------------|-------------|-------------|--|
| Ghisa Cast iron - Grauguß - Fonte - Fundición | 20B017003 | PL 3 SPB 170 -type 2 | 170 | 3 | 2517 | 60 | 63,0 | 18,0 | 45 | 5,60 |
| | 20B017004 | PL 4 SPB 170 -type 4 | 170 | 4 | 2517 | 60 | 82,0 | 18,5 | 45 | 6,40 |
| | 20B017005 | PL 5 SPB 170 -type 4 | 170 | 5 | 3020 | 75 | 101,0 | 25,0 | 51 | 6,50 |
| | 20B017006 | PL 6 SPB 170 -type 4 | 170 | 6 | 3020 | 75 | 120,0 | 34,5 | 51 | 7,40 |
| | 20B017008 | PL 8 SPB 170 -type 4 | 170 | 8 | 3030 | 75 | 158,0 | 41,0 | 76 | 10,60 |
| | 20B018001 | PL 1 SPB 180 -type 10W | 180 | 1 | 1610 | 42 | 25,0 | - | 25 | 2,70 |
| | 20B018002 | PL 2 SPB 180 -type 8 | 180 | 2 | 2517 | 60 | 44,0 | 1,0 | 45 | 5,40 |
| | 20B018003 | PL 3 SPB 180 -type 2 | 180 | 3 | 2517 | 60 | 63,0 | 18,0 | 45 | 6,40 |
| | 20B018004 | PL 4 SPB 180 -type 4 | 180 | 4 | 2517 | 60 | 82,0 | 18,5 | 45 | 7,60 |
| | 20B018005 | PL 5 SPB 180 -type 4 | 180 | 5 | 3020 | 75 | 101,0 | 25,0 | 51 | 8,00 |
| | 20B018006 | PL 6 SPB 180 -type 4 | 180 | 6 | 3020 | 75 | 120,0 | 34,5 | 51 | 9,20 |
| | 20B018008 | PL 8 SPB 180 -type 4 | 180 | 8 | 3030 | 75 | 158,0 | 41,0 | 76 | 11,90 |
| | 20B019001 | PL 1 SPB 190 -type 7W | 190 | 1 | 2012 | 50 | 25,0 | 3,5 | 32 | 3,10 |
| | 20B019002 | PL 2 SPB 190 -type 8 | 190 | 2 | 2517 | 60 | 44,0 | 1,0 | 45 | 5,60 |
| | 20B019003 | PL 3 SPB 190 -type 2 | 190 | 3 | 2517 | 60 | 63,0 | 18,0 | 45 | 7,30 |
| | 20B019004 | PL 4 SPB 190 -type 4 | 190 | 4 | 2517 | 60 | 82,0 | 18,5 | 45 | 8,50 |
| | 20B019005 | PL 5 SPB 190 -type 4 | 190 | 5 | 3020 | 75 | 101,0 | 25,0 | 51 | 8,60 |
| | 20B019006 | PL 6 SPB 190 -type 4 | 190 | 6 | 3020 | 75 | 120,0 | 34,5 | 51 | 10,00 |
| | 20B019008 | PL 8 SPB 190 -type 4 | 190 | 8 | 3030 | 75 | 158,0 | 41,0 | 76 | 13,40 |
| | 20B020001 | PL 1 SPB 200 -type 7W | 200 | 1 | 2012 | 50 | 25,0 | 3,5 | 32 | 3,20 |
| | 20B020002 | PL 2 SPB 200 -type 8 | 200 | 2 | 2517 | 60 | 44,0 | 1,0 | 45 | 5,40 |
| | 20B020003 | PL 3 SPB 200 -type 2 | 200 | 3 | 2517 | 60 | 63,0 | 18,0 | 45 | 6,20 |
| | 20B020004 | PL 4 SPB 200 -type 4 | 200 | 4 | 3020 | 75 | 82,0 | 15,5 | 51 | 9,20 |
| | 20B020005 | PL 5 SPB 200 -type 4 | 200 | 5 | 3020 | 75 | 101,0 | 25,0 | 51 | 10,40 |
| | 20B020006 | PL 6 SPB 200 -type 4 | 200 | 6 | 3020 | 75 | 120,0 | 34,5 | 51 | 12,00 |
| | 20B020008 | PL 8 SPB 200 -type 4 | 200 | 8 | 3535 | 90 | 158,0 | 34,5 | 89 | 14,60 |
| | 20B021201 | PL 1 SPB 212 -type 7W | 212 | 1 | 2012 | 50 | 25,0 | 3,5 | 32 | 4,00 |
| | 20B021202 | PL 2 SPB 212 -type 8W | 212 | 2 | 2517 | 60 | 44,0 | 1,0 | 45 | 5,80 |
| | 20B021203 | PL 3 SPB 212 -type 10W | 212 | 3 | 2517 | 60 | 63,0 | 18,0 | 45 | 6,90 |
| | 20B021204 | PL 4 SPB 212 -type 4 | 212 | 4 | 3020 | 75 | 82,0 | 15,5 | 51 | 10,80 |
| | 20B021205 | PL 5 SPB 212 -type 4 | 212 | 5 | 3020 | 75 | 101,0 | 25,0 | 51 | 11,80 |
| | 20B021206 | PL 6 SPB 212 -type 4 | 212 | 6 | 3535 | 90 | 120,0 | 15,5 | 89 | 15,00 |
| | 20B021208 | PL 8 SPB 212 -type 4 | 212 | 8 | 3535 | 90 | 158,0 | 34,5 | 89 | 17,50 |
| | 20B022401 | PL 1 SPB 224 -type 7W | 224 | 1 | 2012 | 50 | 25,0 | 3,5 | 32 | 4,20 |
| | 20B022402 | PL 2 SPB 224 -type 8W | 224 | 2 | 2517 | 60 | 44,0 | 1,0 | 45 | 6,80 |
| | 20B022403 | PL 3 SPB 224 -type 10W | 224 | 3 | 2517 | 60 | 63,0 | 18,0 | 45 | 7,70 |
| | 20B022404 | PL 4 SPB 224 -type 4 | 224 | 4 | 3020 | 75 | 82,0 | 15,5 | 51 | 12,20 |
| | 20B022405 | PL 5 SPB 224 -type 4 | 224 | 5 | 3020 | 75 | 101,0 | 25,0 | 51 | 14,00 |
| | 20B022406 | PL 6 SPB 224 -type 4 | 224 | 6 | 3535 | 90 | 120,0 | 15,5 | 89 | 17,60 |
| | 20B022408 | PL 8 SPB 224 -type 4 | 224 | 8 | 3535 | 90 | 158,0 | 34,5 | 89 | 20,00 |
| | 20B023601 | PL 1 SPB 236 -type 7W | 236 | 1 | 2012 | 50 | 25,0 | 3,5 | 32 | 4,40 |
| | 20B023602 | PL 2 SPB 236 -type 8W | 236 | 2 | 2517 | 60 | 44,0 | 1,0 | 45 | 6,90 |
| | 20B023603 | PL 3 SPB 236 -type 10W | 236 | 3 | 2517 | 60 | 63,0 | 18,0 | 45 | 8,40 |
| | 20B023604 | PL 4 SPB 236 -type 4 | 236 | 4 | 3020 | 75 | 82,0 | 15,5 | 51 | 14,00 |
| | 20B023605 | PL 5 SPB 236 -type 4 | 236 | 5 | 3535 | 90 | 101,0 | 6,0 | 89 | 19,00 |
| | 20B023606 | PL 6 SPB 236 -type 4 | 236 | 6 | 3535 | 90 | 120,0 | 15,5 | 89 | 20,00 |
| | 20B023608 | PL 8 SPB 236 -type 4 | 236 | 8 | 3535 | 90 | 158,0 | 34,5 | 89 | 23,20 |



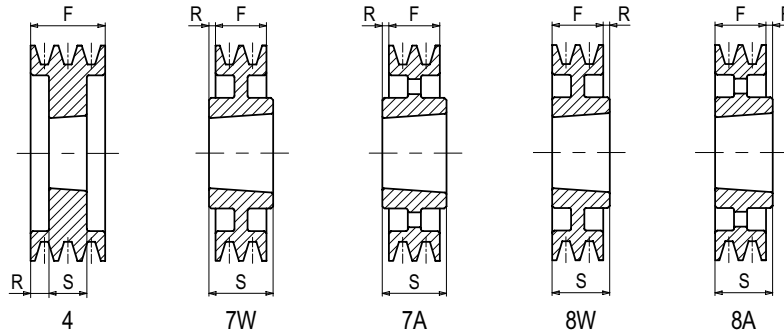
Pulegge a gola PL per bussola conica **POGGILOCK®**

PL V-belt pulleys for taperbushes **POGGILOCK®**

PL Keilriemenscheiben für Spannbuchse **POGGILOCK®**

Poulies trapézoïdales PL pour moyeu amovible **POGGILOCK®**

Poleas trapeciales PL para casquillo cónico **POGGILOCK®**



B - SPB - 5V

| Materiale Material Werkstoff Matériel Material | Codice Item number Codierung Code Código | Descrizione Designation Bezeichnung Désignation Referencia | Dp mm | N° Gole Grooves Rillen Gorges Canales | Bussola Bush Buchse Moyeu Casquillo | Foro Bore Bohrung Alésage Agujero max mm | F mm | R mm | S mm | Peso Weight Gewicht Poids Peso kg |
|--|--|--|----------|---|---|--|---------|---------|---------|--|
| Ghisa Cast iron - Grauguß - Fonte - Fundición | 20B025001 | PL 1 SPB 250 -type 7W | 250 | 1 | 2012 | 50 | 25,0 | 3,5 | 32 | 4,60 |
| | 20B025002 | PL 2 SPB 250 -type 8W | 250 | 2 | 2517 | 60 | 44,0 | 1,0 | 45 | 7,10 |
| | 20B025003 | PL 3 SPB 250 -type 10W | 250 | 3 | 3020 | 75 | 63,0 | 12,0 | 51 | 9,80 |
| | 20B025004 | PL 4 SPB 250 -type 9W | 250 | 4 | 3020 | 75 | 82,0 | 15,5 | 51 | 11,50 |
| | 20B025005 | PL 5 SPB 250 -type 4 | 250 | 5 | 3535 | 90 | 101,0 | 6,0 | 89 | 22,00 |
| | 20B025006 | PL 6 SPB 250 -type 4 | 250 | 6 | 3535 | 90 | 120,0 | 15,5 | 89 | 23,80 |
| | 20B025008 | PL 8 SPB 250 -type 4 | 250 | 8 | 3535 | 90 | 158,0 | 34,5 | 89 | 26,70 |
| | 20B028001 | PL 1 SPB 280 -type 7W | 280 | 1 | 2012 | 50 | 25,0 | 3,5 | 32 | 5,20 |
| | 20B028002 | PL 2 SPB 280 -type 8W | 280 | 2 | 2517 | 60 | 44,0 | 1,0 | 45 | 8,40 |
| | 20B028003 | PL 3 SPB 280 -type 9W | 280 | 3 | 3020 | 75 | 63,0 | 6,0 | 51 | 10,90 |
| | 20B028004 | PL 4 SPB 280 -type 9W | 280 | 4 | 3020 | 75 | 82,0 | 15,5 | 51 | 13,40 |
| | 20B028005 | PL 5 SPB 280 -type 9W | 280 | 5 | 3535 | 90 | 101,0 | 6,0 | 89 | 18,60 |
| | 20B028006 | PL 6 SPB 280 -type 9W | 280 | 6 | 3535 | 90 | 120,0 | 15,5 | 89 | 20,60 |
| | 20B028008 | PL 8 SPB 280 -type 9W | 280 | 8 | 3535 | 90 | 158,0 | 34,5 | 89 | 28,00 |
| | 20B030001 | PL 1 SPB 300 -type 7W | 300 | 1 | 2012 | 50 | 25,0 | 3,5 | 32 | 5,60 |
| | 20B030002 | PL 2 SPB 300 -type 8W | 300 | 2 | 2517 | 60 | 44,0 | 1,0 | 45 | 9,20 |
| | 20B030003 | PL 3 SPB 300 -type 9W | 300 | 3 | 3020 | 75 | 63,0 | 6,0 | 51 | 12,20 |
| | 20B030004 | PL 4 SPB 300 -type 8W | 300 | 4 | 3535 | 90 | 82,0 | 7,0 | 89 | 21,00 |
| | 20B030005 | PL 5 SPB 300 -type 9W | 300 | 5 | 3535 | 90 | 101,0 | 6,0 | 89 | 19,00 |
| | 20B030006 | PL 6 SPB 300 -type 9W | 300 | 6 | 3535 | 90 | 120,0 | 15,5 | 89 | 21,00 |
| | 20B030008 | PL 8 SPB 300 -type 9W | 300 | 8 | 3535 | 90 | 158,0 | 34,5 | 89 | 28,70 |
| | 20B031501 | PL 1 SPB 315 -type 7W | 315 | 1 | 2012 | 50 | 25,0 | 3,5 | 32 | 5,90 |
| | 20B031502 | PL 2 SPB 315 -type 8W | 315 | 2 | 2517 | 60 | 44,0 | 1,0 | 45 | 9,50 |
| | 20B031503 | PL 3 SPB 315 -type 9W | 315 | 3 | 3020 | 75 | 63,0 | 6,0 | 51 | 13,40 |
| | 20B031504 | PL 4 SPB 315 -type 7W | 315 | 4 | 3535 | 90 | 82,0 | 3,5 | 89 | 19,00 |
| | 20B031505 | PL 5 SPB 315 -type 9W | 315 | 5 | 3535 | 90 | 101,0 | 6,0 | 89 | 20,50 |
| | 20B031506 | PL 6 SPB 315 -type 9W | 315 | 6 | 3535 | 90 | 120,0 | 15,5 | 89 | 23,60 |
| | 20B031508 | PL 8 SPB 315 -type 9W | 315 | 8 | 3535 | 90 | 158,0 | 34,5 | 89 | 32,00 |
| | 20B033502 | PL 2 SPB 335 -type 8W | 335 | 2 | 2517 | 60 | 44,0 | 1,0 | 45 | 9,60 |
| | 20B033503 | PL 3 SPB 335 -type 9W | 335 | 3 | 3020 | 75 | 63,0 | 6,0 | 51 | 14,00 |
| | 20B033504 | PL 4 SPB 335 -type 7W | 335 | 4 | 3535 | 90 | 82,0 | 3,5 | 89 | 21,40 |
| | 20B033505 | PL 5 SPB 335 -type 9W | 335 | 5 | 3535 | 90 | 101,0 | 6,0 | 89 | 22,80 |
| | 20B033506 | PL 6 SPB 335 -type 9W | 335 | 6 | 3535 | 90 | 120,0 | 15,5 | 89 | 25,60 |
| | 20B033508 | PL 8 SPB 335 -type 9W | 335 | 8 | 3535 | 90 | 158,0 | 34,5 | 89 | 33,00 |
| | 20B035502 | PL 2 SPB 355 -type 7A | 355 | 2 | 3020 | 75 | 44,0 | 3,5 | 51 | 12,40 |
| | 20B035503 | PL 3 SPB 355 -type 9W | 355 | 3 | 3020 | 75 | 63,0 | 6,0 | 51 | 14,20 |
| | 20B035504 | PL 4 SPB 355 -type 7W | 355 | 4 | 3535 | 90 | 82,0 | 3,5 | 89 | 22,50 |
| | 20B035505 | PL 5 SPB 355 -type 9W | 355 | 5 | 3535 | 90 | 101,0 | 6,0 | 89 | 24,00 |
| | 20B035506 | PL 6 SPB 355 -type 9W | 355 | 6 | 3535 | 90 | 120,0 | 15,5 | 89 | 28,00 |
| | 20B035508 | PL 8 SPB 355 -type 9W | 355 | 8 | 3535 | 90 | 158,0 | 34,5 | 89 | 34,00 |
| | 20B040002 | PL 2 SPB 400 -type 7A | 400 | 2 | 3020 | 75 | 44,0 | 3,5 | 51 | 14,50 |
| | 20B040003 | PL 3 SPB 400 -type 7A | 400 | 3 | 3535 | 90 | 63,0 | 13,0 | 89 | 18,80 |
| | 20B040004 | PL 4 SPB 400 -type 7A | 400 | 4 | 3535 | 90 | 82,0 | 3,5 | 89 | 24,00 |
| | 20B040005 | PL 5 SPB 400 -type 9A | 400 | 5 | 3535 | 90 | 101,0 | 6,0 | 89 | 27,50 |
| | 20B040006 | PL 6 SPB 400 -type 9A | 400 | 6 | 3535 | 90 | 120,0 | 15,5 | 89 | 29,50 |
| | 20B040008 | PL 8 SPB 400 -type 9W | 400 | 8 | 4040 | 100 | 158,0 | 28,0 | 102 | 42,20 |



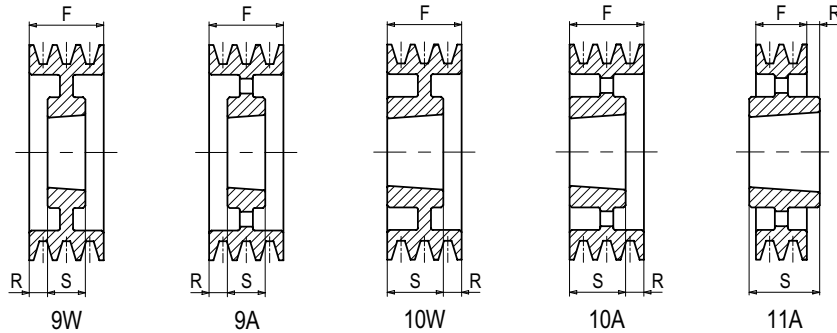
Pulegge a gola PL per bussola conica **POGGILOCK®**

PL V-belt pulleys for taperbushes **POGGILOCK®**

PL Keilriemenscheiben für Spannbuchse **POGGILOCK®**

Poulies trapézoïdales PL pour moyeu amovible **POGGILOCK®**

Poleas trapeciales PL para casquillo cónico **POGGILOCK®**



B - SPB - 5V

| Materiale Material Werkstoff Matériel Material | Codice Item number Codierung Code Código | Descrizione Designation Bezeichnung Désignation Referencia | Dp mm | N° Gole Grooves Rillen Gorges Canales | Bussola Bush Buchse Moyeu Casquillo | Foro Bore Bohrung Alésage Agujero max mm | F mm | R mm | S mm | Peso Weight Gewicht Poids Peso kg |
|--|--|--|--------------|---|---|--|-------------|-------------|-------------|--|
| Ghisa Cast iron - Grauguß - Fonte - Fundición | 20B045002 | PL 2 SPB 450 -type 7A | 450 | 2 | 3020 | 75 | 44,0 | 3,5 | 51 | 17,40 |
| | 20B045003 | PL 3 SPB 450 -type 8A | 450 | 3 | 3535 | 90 | 63,0 | 26,0 | 89 | 25,20 |
| | 20B045004 | PL 4 SPB 450 -type 8A | 450 | 4 | 3535 | 90 | 82,0 | 7,0 | 89 | 28,00 |
| | 20B045005 | PL 5 SPB 450 -type 10A | 450 | 5 | 3535 | 90 | 101,0 | 12,0 | 89 | 31,00 |
| | 20B045006 | PL 6 SPB 450 -type 10A | 450 | 6 | 4040 | 100 | 120,0 | 18,0 | 102 | 41,40 |
| | 20B045008 | PL 8 SPB 450 -type 9A | 450 | 8 | 4040 | 100 | 158,0 | 28,0 | 102 | 48,20 |
| | 20B050002 | PL 2 SPB 500 -type 7A | 500 | 2 | 3020 | 75 | 44,0 | 3,5 | 51 | 18,60 |
| | 20B050003 | PL 3 SPB 500 -type 8A | 500 | 3 | 3535 | 90 | 63,0 | 26,0 | 89 | 26,40 |
| | 20B050004 | PL 4 SPB 500 -type 8A | 500 | 4 | 3535 | 90 | 82,0 | 7,0 | 89 | 29,40 |
| | 20B050005 | PL 5 SPB 500 -type 10A | 500 | 5 | 3535 | 90 | 101,0 | 12,0 | 89 | 37,00 |
| | 20B050006 | PL 6 SPB 500 -type 10A | 500 | 6 | 4040 | 100 | 120,0 | 18,0 | 102 | 43,00 |
| | 20B050008 | PL 8 SPB 500 -type 9A | 500 | 8 | 4040 | 100 | 158,0 | 28,0 | 102 | 52,60 |
| | 20B056002 | PL 2 SPB 560 -type 11A | 560 | 2 | 3030 | 75 | 44,0 | 28,0 | 76 | 21,20 |
| | 20B056003 | PL 3 SPB 560 -type 8A | 560 | 3 | 3535 | 90 | 63,0 | 26,0 | 89 | 28,40 |
| | 20B056004 | PL 4 SPB 560 -type 8A | 560 | 4 | 3535 | 90 | 82,0 | 7,0 | 89 | 37,40 |
| | 20B056005 | PL 5 SPB 560 -type 8A | 560 | 5 | 4040 | 100 | 101,0 | 1,0 | 102 | 46,00 |
| | 20B056006 | PL 6 SPB 560 -type 10A | 560 | 6 | 4040 | 100 | 120,0 | 18,0 | 102 | 49,30 |
| | 20B056008 | PL 8 SPB 560 -type 9A | 560 | 8 | 4545 | 100 | 158,0 | 22,0 | 114 | 61,80 |
| | 20B063002 | PL 2 SPB 630 -type 8A | 630 | 2 | 3030 | 75 | 44,0 | 32,0 | 76 | 24,00 |
| | 20B063003 | PL 3 SPB 630 -type 8A | 630 | 3 | 3535 | 90 | 63,0 | 26,0 | 89 | 37,00 |
| | 20B063004 | PL 4 SPB 630 -type 8A | 630 | 4 | 3535 | 90 | 82,0 | 7,0 | 89 | 42,00 |
| | 20B063005 | PL 5 SPB 630 -type 8A | 630 | 5 | 4040 | 100 | 101,0 | 1,0 | 102 | 52,00 |
| | 20B063006 | PL 6 SPB 630 -type 10A | 630 | 6 | 4040 | 100 | 120,0 | 18,0 | 102 | 59,00 |
| | 20B063008 | PL 8 SPB 630 -type 9A | 630 | 8 | 4545 | 100 | 158,0 | 22,0 | 114 | 69,30 |
| | 20B071003 | PL 3 SPB 710 -type 11A | 710 | 3 | 3535 | 90 | 63,0 | 22,0 | 89 | 42,00 |
| | 20B071004 | PL 4 SPB 710 -type 7A | 710 | 4 | 3535 | 90 | 82,0 | 3,5 | 89 | 48,00 |
| | 20B071005 | PL 5 SPB 710 -type 7A | 710 | 5 | 4040 | 100 | 101,0 | 0,5 | 102 | 60,00 |
| | 20B071006 | PL 6 SPB 710 -type 9A | 710 | 6 | 4040 | 100 | 120,0 | 9,0 | 102 | 68,80 |
| | 20B071008 | PL 8 SPB 710 -type 9A | 710 | 8 | 4545 | 100 | 158,0 | 22,0 | 114 | 79,00 |
| | 20B080003 | PL 3 SPB 800 -type 11A | 800 | 3 | 3535 | 90 | 63,0 | 22,0 | 89 | 53,00 |
| | 20B080004 | PL 4 SPB 800 -type 11A | 800 | 4 | 4040 | 100 | 82,0 | 16,0 | 102 | 61,60 |
| | 20B080005 | PL 5 SPB 800 -type 7A | 800 | 5 | 4040 | 100 | 101,0 | 0,5 | 102 | 71,00 |
| | 20B080006 | PL 6 SPB 800 -type 9A | 800 | 6 | 4545 | 100 | 120,0 | 3,0 | 114 | 85,00 |
| | 20B080008 | PL 8 SPB 800 -type 9A | 800 | 8 | 4545 | 100 | 158,0 | 22,0 | 114 | 100,00 |
| | 20B090003 | PL 3 SPB 900 -type 7A | 900 | 3 | 3535 | 90 | 63,0 | 13,0 | 89 | 60,00 |
| | 20B090004 | PL 4 SPB 900 -type 7A | 900 | 4 | 4040 | 100 | 82,0 | 10,0 | 102 | 72,00 |
| | 20B090005 | PL 5 SPB 900 -type 8A | 900 | 5 | 4040 | 100 | 101,0 | 1,0 | 102 | 94,00 |
| | 20B090006 | PL 6 SPB 900 -type 9A | 900 | 6 | 4545 | 100 | 120,0 | 3,0 | 114 | 108,00 |
| | 20B090008 | PL 8 SPB 900 -type 9A | 900 | 8 | 4545 | 100 | 158,0 | 22,0 | 114 | 122,00 |
| | 20B100003 | PL 3 SPB 1000 -type 11A | 1000 | 3 | 4040 | 100 | 63,0 | 33,0 | 102 | 66,00 |
| | 20B100004 | PL 4 SPB 1000 -type 11A | 1000 | 4 | 4040 | 100 | 82,0 | 16,0 | 102 | 81,00 |
| | 20B100005 | PL 5 SPB 1000 -type 7A | 1000 | 5 | 4545 | 100 | 101,0 | 6,5 | 114 | 102,00 |
| | 20B100006 | PL 6 SPB 1000 -type 9A | 1000 | 6 | 4545 | 100 | 120,0 | 3,0 | 114 | 108,00 |
| | 20B100008 | PL 8 SPB 1000 -type 9A | 1000 | 8 | 5050 | 125 | 158,0 | 15,5 | 127 | 135,00 |



Pulegge a gola PL per bussola conica **POGGILOCK**[®]

PL V-belt pulleys for taperbushes **POGGILOCK**[®]

PL Keilriemenscheiben für Spannbuchse **POGGILOCK**[®]

Poulies trapézoïdales PL pour moyeu amovible **POGGILOCK**[®]

Poleas trapeciales PL para casquillo cónico **POGGILOCK**[®]

Diametro primitivo minimo delle pulegge raccomandato dalle norme ISO R 459 e DIN 2211:

Minimum pulley pitch diameter recommended by ISO R 459 and DIN 2211:
Empfohlener Mindest-Wirkdurchmesser der Scheiben nach ISO R 459 und DIN 2211:
Diamètre primitif minimum des poulies recommandé par ISO R 459 et DIN 2211:
Diámetro primitivo mínimo de las poleas recomendado por ISO R 459 y DIN 2211:

LINEA-X
NORMAL[®] C Dp 140
NORMALMEC[®] SPC Dp 180
Dp 224

• Queste pulegge possono montare solo le cinghie **NORMAL**[®].

• These pulleys can operate with **NORMAL**[®] belts only.

• Diese Scheiben können nur mit **NORMAL**[®] Keilriemen benutzt werden.

• Ces poulies ne permettent que l'assemblage avec les courroies **NORMAL**[®].

• Estas poleas sólo pueden montar las correas **NORMAL**[®].

C - SPC

| Materiale Material Werkstoff Matériel Material | Codice Item number Codierung Code Código | Descrizione Designation Bezeichnung Désignation Referencia | Dp mm | N° Gole Grooves Rillen Gorges Canales | Bussola Bush Buchse Moyeu Casquillo | Foro Bore Bohrung Alésage Agujero max mm | F mm | R mm | S mm | Peso Weight Gewicht Poids Peso kg |
|--|--|--|----------|---|---|--|---------|---------|---------|--|
| Ghisa Cast iron - Grauguß - Fonte - Fundición | • 20C020002 | PL 2 C 200 -type 2 | 200 | 2 | 2517 | 60 | 60,0 | 15,0 | 45 | 8,40 |
| | • 20C020003 | PL 3 C 200 -type 4 | 200 | 3 | 2517 | 60 | 85,0 | 20,0 | 45 | 9,90 |
| | • 20C020004 | PL 4 C 200 -type 4 | 200 | 4 | 3020 | 75 | 111,0 | 30,0 | 51 | 11,30 |
| | • 20C020005 | PL 5 C 200 -type 4 | 200 | 5 | 3535 | 90 | 136,0 | 23,5 | 89 | 12,60 |
| | • 20C020006 | PL 6 C 200 -type 4 | 200 | 6 | 3535 | 90 | 162,0 | 36,5 | 89 | 14,40 |
| | • 20C020008 | PL 8 C 200 -type 4 | 200 | 8 | 3535 | 90 | 213,0 | 62,0 | 89 | 17,90 |
| | • 20C021203 | PL 3 C 212 -type 4 | 212 | 3 | 3020 | 75 | 85,0 | 17,0 | 51 | 10,10 |
| | • 20C021204 | PL 4 C 212 -type 4 | 212 | 4 | 3020 | 75 | 111,0 | 30,0 | 51 | 13,00 |
| | • 20C021205 | PL 5 C 212 -type 4 | 212 | 5 | 3535 | 90 | 136,0 | 23,5 | 89 | 15,40 |
| | • 20C021206 | PL 6 C 212 -type 4 | 212 | 6 | 3535 | 90 | 162,0 | 36,5 | 89 | 17,40 |
| | • 20C021208 | PL 8 C 212 -type 4 | 212 | 8 | 3535 | 90 | 213,0 | 62,0 | 89 | 21,00 |
| | 20C022402 | PL 2 SPC 224 -type 2 | 224 | 2 | 3020 | 75 | 60,0 | 9,0 | 51 | 10,50 |
| | 20C022403 | PL 3 SPC 224 -type 4 | 224 | 3 | 3020 | 75 | 85,0 | 17,0 | 51 | 12,00 |
| | 20C022404 | PL 4 SPC 224 -type 4 | 224 | 4 | 3535 | 90 | 111,0 | 11,0 | 89 | 16,00 |
| | 20C022405 | PL 5 SPC 224 -type 4 | 224 | 5 | 3535 | 90 | 136,0 | 23,5 | 89 | 17,40 |
| | 20C022406 | PL 6 SPC 224 -type 4 | 224 | 6 | 3535 | 90 | 162,0 | 36,5 | 89 | 19,90 |
| | 20C022408 | PL 8 SPC 224 -type 4 | 224 | 8 | 3535 | 90 | 213,0 | 62,0 | 89 | 24,00 |
| | 20C023603 | PL 3 SPC 236 -type 4 | 236 | 3 | 3020 | 75 | 85,0 | 17,0 | 51 | 14,00 |
| | 20C023604 | PL 4 SPC 236 -type 4 | 236 | 4 | 3535 | 90 | 111,0 | 11,0 | 89 | 19,00 |
| | 20C023605 | PL 5 SPC 236 -type 4 | 236 | 5 | 3535 | 90 | 136,0 | 23,5 | 89 | 20,80 |
| | 20C023606 | PL 6 SPC 236 -type 4 | 236 | 6 | 3535 | 90 | 162,0 | 36,5 | 89 | 23,40 |
| | 20C023608 | PL 8 SPC 236 -type 4 | 236 | 8 | 3535 | 90 | 213,0 | 62,0 | 89 | 26,20 |
| | 20C025002 | PL 2 SPC 250 -type 10W | 250 | 2 | 3020 | 75 | 60,0 | 9,0 | 51 | 11,00 |
| | 20C025003 | PL 3 SPC 250 -type 4 | 250 | 3 | 3020 | 75 | 85,0 | 17,0 | 51 | 15,80 |
| | 20C025004 | PL 4 SPC 250 -type 4 | 250 | 4 | 3535 | 90 | 111,0 | 11,0 | 89 | 22,20 |
| | 20C025005 | PL 5 SPC 250 -type 4 | 250 | 5 | 3535 | 90 | 136,0 | 23,5 | 89 | 24,00 |
| | 20C025006 | PL 6 SPC 250 -type 4 | 250 | 6 | 3535 | 90 | 162,0 | 36,5 | 89 | 26,80 |
| | 20C025008 | PL 8 SPC 250 -type 4 | 250 | 8 | 3535 | 90 | 213,0 | 62,0 | 89 | 31,10 |
| | 20C026503 | PL 3 SPC 265 -type 8W | 265 | 3 | 3535 | 90 | 85,0 | 4,0 | 89 | 17,60 |
| | 20C026504 | PL 4 SPC 265 -type 9W | 265 | 4 | 3535 | 90 | 110,5 | 11,0 | 89 | 20,20 |
| | 20C026505 | PL 5 SPC 265 -type 9W | 265 | 5 | 3535 | 90 | 136,0 | 23,5 | 89 | 26,30 |
| | 20C026506 | PL 6 SPC 265 -type 9W | 265 | 6 | 3535 | 90 | 161,5 | 36,5 | 89 | 26,60 |
| | 20C026508 | PL 8 SPC 265 -type 9W | 265 | 8 | 3535 | 90 | 212,5 | 62,0 | 89 | 35,80 |
| | 20C028002 | PL 2 SPC 280 -type 7W | 280 | 2 | 3535 | 90 | 60,0 | 14,5 | 89 | 17,00 |
| | 20C028003 | PL 3 SPC 280 -type 8W | 280 | 3 | 3535 | 90 | 85,0 | 4,0 | 89 | 26,60 |
| | 20C028004 | PL 4 SPC 280 -type 9W | 280 | 4 | 3535 | 90 | 111,0 | 11,0 | 89 | 22,40 |
| | 20C028005 | PL 5 SPC 280 -type 9W | 280 | 5 | 3535 | 90 | 136,0 | 23,5 | 89 | 27,40 |
| | 20C028006 | PL 6 SPC 280 -type 9W | 280 | 6 | 3535 | 90 | 162,0 | 36,5 | 89 | 30,20 |
| | 20C028008 | PL 8 SPC 280 -type 9W | 280 | 8 | 3535 | 90 | 212,5 | 62,0 | 89 | 40,00 |
| | 20C028010 | PL10 SPC 280 -type 4 | 280 | 10 | 4040 | 100 | 264,0 | 81,0 | 102 | 46,00 |



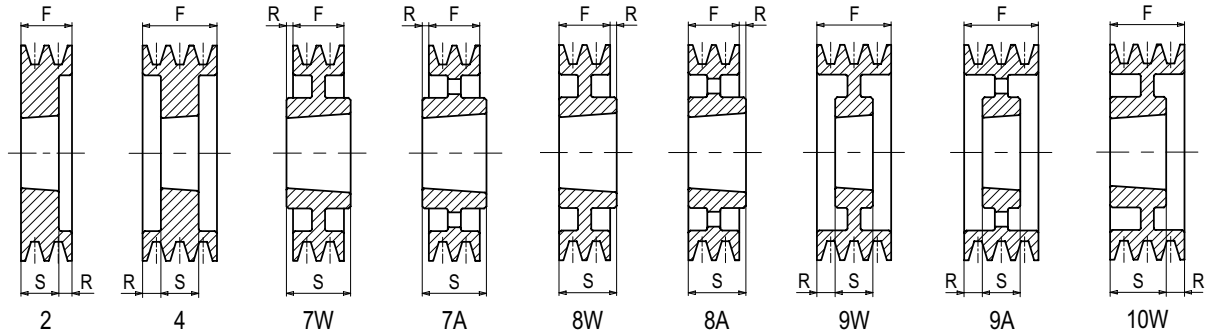
Pulegge a gola PL per bussola conica **POGGILOCK®**

PL V-belt pulleys for taperbushes **POGGILOCK®**

PL Keilriemenscheiben für Spannbuchse **POGGILOCK®**

Poules trapézoïdales PL pour moyeu amovible **POGGILOCK®**

Poleas trapeciales PL para casquillo cónico **POGGILOCK®**



C - SPC

| Materiale Material Werkstoff Matériel Material | Codice Item number Codierung Code Código | Descrizione Designation Bezeichnung Désignation Referencia | Dp mm | N° Gole Grooves Rillen Gorges Canales | Bussola Bush Buchse Moyeu Casquillo | Foro Bore Bohrung Alésage Agujero max mm | F mm | R mm | S mm | Peso Weight Gewicht Poids Peso kg |
|--|--|--|--------------|---|---|--|-------------|-------------|-------------|--|
| Ghisa Cast iron - Grauguß - Fonte - Fundición | 20C030002 | PL 2 SPC 300 -type 8W | 300 | 2 | 3535 | 90 | 60,0 | 14,5 | 89 | 18,40 |
| | 20C030003 | PL 3 SPC 300 -type 7W | 300 | 3 | 3535 | 90 | 85,0 | 2,0 | 89 | 20,00 |
| | 20C030004 | PL 4 SPC 300 -type 9W | 300 | 4 | 3535 | 90 | 111,0 | 11,0 | 89 | 27,00 |
| | 20C030005 | PL 5 SPC 300 -type 9W | 300 | 5 | 3535 | 90 | 136,0 | 23,5 | 89 | 28,00 |
| | 20C030006 | PL 6 SPC 300 -type 9W | 300 | 6 | 3535 | 90 | 162,0 | 36,5 | 89 | 31,30 |
| | 20C030008 | PL 8 SPC 300 -type 4 | 300 | 8 | 4040 | 100 | 212,5 | 55,5 | 102 | 47,40 |
| | 20C030010 | PL10 SPC 300 -type 4 | 300 | 10 | 4545 | 100 | 264,0 | 75,0 | 114 | 56,00 |
| | 20C031502 | PL 2 SPC 315 -type 8A | 315 | 2 | 3535 | 90 | 60,0 | 29,0 | 89 | 18,50 |
| | 20C031503 | PL 3 SPC 315 -type 7W | 315 | 3 | 3535 | 90 | 85,0 | 2,0 | 89 | 23,50 |
| | 20C031504 | PL 4 SPC 315 -type 9W | 315 | 4 | 3535 | 90 | 111,0 | 11,0 | 89 | 29,50 |
| | 20C031505 | PL 5 SPC 315 -type 9W | 315 | 5 | 3535 | 90 | 136,0 | 23,5 | 89 | 30,00 |
| | 20C031506 | PL 6 SPC 315 -type 9W | 315 | 6 | 3535 | 90 | 162,0 | 36,5 | 89 | 32,00 |
| | 20C031508 | PL 8 SPC 315 -type 4 | 315 | 8 | 4040 | 100 | 213,0 | 55,5 | 102 | 54,00 |
| | 20C031510 | PL10 SPC 315 -type 4 | 315 | 10 | 4545 | 100 | 264,0 | 75,0 | 114 | 60,00 |
| | 20C033502 | PL 2 SPC 335 -type 8A | 335 | 2 | 3535 | 90 | 60,0 | 29,0 | 89 | 19,00 |
| | 20C033503 | PL 3 SPC 335 -type 7W | 335 | 3 | 3535 | 90 | 85,0 | 2,0 | 89 | 23,60 |
| | 20C033504 | PL 4 SPC 335 -type 9W | 335 | 4 | 3535 | 90 | 111,0 | 11,0 | 89 | 30,20 |
| | 20C033505 | PL 5 SPC 335 -type 9W | 335 | 5 | 3535 | 90 | 136,0 | 23,5 | 89 | 30,50 |
| | 20C033506 | PL 6 SPC 335 -type 9W | 335 | 6 | 3535 | 90 | 162,0 | 36,5 | 89 | 34,20 |
| | 20C033508 | PL 8 SPC 335 -type 9W | 335 | 8 | 4040 | 100 | 213,0 | 55,5 | 102 | 54,00 |
| | 20C033510 | PL10 SPC 335 -type 4 | 335 | 10 | 4545 | 100 | 264,0 | 75,0 | 114 | 69,00 |
| | 20C035502 | PL 2 SPC 355 -type 8A | 355 | 2 | 3535 | 90 | 60,0 | 29,0 | 89 | 20,00 |
| | 20C035503 | PL 3 SPC 355 -type 7W | 355 | 3 | 3535 | 90 | 85,0 | 2,0 | 89 | 24,00 |
| | 20C035504 | PL 4 SPC 355 -type 9W | 355 | 4 | 3535 | 90 | 111,0 | 11,0 | 89 | 31,00 |
| | 20C035505 | PL 5 SPC 355 -type 9W | 355 | 5 | 3535 | 90 | 136,0 | 23,5 | 89 | 31,60 |
| | 20C035506 | PL 6 SPC 355 -type 9W | 355 | 6 | 3535 | 90 | 162,0 | 36,5 | 89 | 36,50 |
| | 20C035508 | PL 8 SPC 355 -type 9W | 355 | 8 | 4040 | 100 | 213,0 | 55,5 | 102 | 54,00 |
| | 20C035510 | PL10 SPC 355 -type 4 | 355 | 10 | 4545 | 100 | 264,0 | 75,0 | 114 | 80,00 |
| | 20C037503 | PL 3 SPC 375 -type 7W | 375 | 3 | 3535 | 90 | 85,0 | 2,0 | 89 | 24,60 |
| | 20C037504 | PL 4 SPC 375 -type 9W | 375 | 4 | 3535 | 90 | 111,0 | 11,0 | 89 | 32,30 |
| | 20C037505 | PL 5 SPC 375 -type 9W | 375 | 5 | 3535 | 90 | 136,0 | 23,5 | 89 | 36,80 |
| | 20C037506 | PL 6 SPC 375 -type 9W | 375 | 6 | 4040 | 100 | 162,0 | 30,0 | 102 | 44,00 |
| | 20C037508 | PL 8 SPC 375 -type 9W | 375 | 8 | 4545 | 100 | 213,0 | 49,5 | 114 | 61,00 |
| | 20C040002 | PL 2 SPC 400 -type 8A | 400 | 2 | 3535 | 90 | 60,0 | 29,0 | 89 | 23,00 |
| | 20C040003 | PL 3 SPC 400 -type 7A | 400 | 3 | 3535 | 90 | 85,0 | 2,0 | 89 | 30,30 |
| | 20C040004 | PL 4 SPC 400 -type 9A | 400 | 4 | 3535 | 90 | 110,5 | 11,0 | 89 | 32,60 |
| | 20C040005 | PL 5 SPC 400 -type 9A | 400 | 5 | 3535 | 90 | 136,0 | 23,5 | 89 | 42,00 |
| | 20C040006 | PL 6 SPC 400 -type 9W | 400 | 6 | 4040 | 100 | 162,0 | 30,0 | 102 | 48,00 |
| | 20C040008 | PL 8 SPC 400 -type 9W | 400 | 8 | 4545 | 100 | 213,0 | 49,5 | 114 | 62,00 |
| | 20C040010 | PL10 SPC 400 -type 9W | 400 | 10 | 5050 | 125 | 264,0 | 68,5 | 127 | 80,00 |



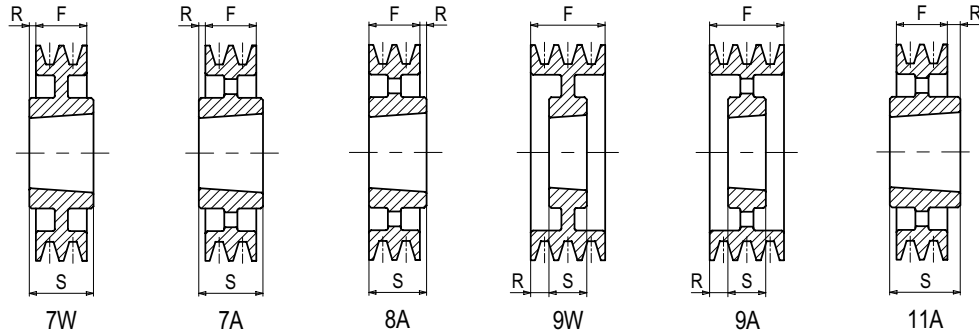
Pulegge a gola PL per bussola conica **POGGILOCK®**

PL V-belt pulleys for taperbushes **POGGILOCK®**

PL Keilriemenscheiben für Spannbuchse **POGGILOCK®**

Poulies trapézoïdales PL pour moyeu amovible **POGGILOCK®**

Poleas trapeziales PL para casquillo cónico **POGGILOCK®**



C - SPC

| Materiale Material Werkstoff Matériel Material | Codice Item number Codierung Code Código | Descrizione Designation Bezeichnung Désignation Referencia | Dp mm | N° Gole Grooves Rillen Gorges Canales | Bussola Bush Buchse Moyeu Casquillo | Foro Bore Bohrung Alésage Agujero max mm | F mm | R mm | S mm | Peso Weight Gewicht Poids Peso kg |
|--|--|--|--------------|---|---|--|-------------|-------------|-------------|--|
| Ghisa Cast iron - Grauguß - Fonte - Fundición | 20C045002 | PL 2 SPC 450 -type 8A | 450 | 2 | 3535 | 90 | 60,0 | 29,0 | 89 | 26,50 |
| | 20C045003 | PL 3 SPC 450 -type 7A | 450 | 3 | 3535 | 90 | 85,0 | 2,0 | 89 | 32,80 |
| | 20C045004 | PL 4 SPC 450 -type 9A | 450 | 4 | 3535 | 90 | 111,0 | 11,0 | 89 | 37,50 |
| | 20C045005 | PL 5 SPC 450 -type 9A | 450 | 5 | 4040 | 100 | 136,0 | 17,0 | 102 | 47,40 |
| | 20C045006 | PL 6 SPC 450 -type 9W | 450 | 6 | 4545 | 100 | 162,0 | 24,0 | 114 | 63,00 |
| | 20C045008 | PL 8 SPC 450 -type 9W | 450 | 8 | 5050 | 125 | 213,0 | 43,0 | 127 | 70,00 |
| | 20C045010 | PL10 SPC 450 -type 9W | 450 | 10 | 5050 | 125 | 264,0 | 68,5 | 127 | 90,00 |
| | 20C050003 | PL 3 SPC 500 -type 7A | 500 | 3 | 3535 | 90 | 85,0 | 2,0 | 89 | 40,00 |
| | 20C050004 | PL 4 SPC 500 -type 9A | 500 | 4 | 3535 | 90 | 111,0 | 11,0 | 89 | 45,80 |
| | 20C050005 | PL 5 SPC 500 -type 9A | 500 | 5 | 4040 | 100 | 136,0 | 17,0 | 102 | 52,20 |
| | 20C050006 | PL 6 SPC 500 -type 9A | 500 | 6 | 4545 | 100 | 162,0 | 24,0 | 114 | 64,00 |
| | 20C050008 | PL 8 SPC 500 -type 9W | 500 | 8 | 5050 | 125 | 212,5 | 43,0 | 127 | 78,30 |
| | 20C050010 | PL10 SPC 500 -type 9A | 500 | 10 | 5050 | 125 | 264,0 | 68,5 | 127 | 99,00 |
| | 20C056003 | PL 3 SPC 560 -type 7A | 560 | 3 | 3535 | 90 | 85,0 | 2,0 | 89 | 40,80 |
| | 20C056004 | PL 4 SPC 560 -type 9A | 560 | 4 | 4040 | 100 | 111,0 | 4,5 | 102 | 55,40 |
| | 20C056005 | PL 5 SPC 560 -type 9A | 560 | 5 | 4545 | 100 | 136,0 | 11,0 | 114 | 68,20 |
| | 20C056006 | PL 6 SPC 560 -type 9A | 560 | 6 | 5050 | 125 | 162,0 | 17,5 | 127 | 76,70 |
| | 20C056008 | PL 8 SPC 560 -type 9A | 560 | 8 | 5050 | 125 | 213,0 | 43,0 | 127 | 86,10 |
| | 20C056010 | PL10 SPC 560 -type 9A | 560 | 10 | 5050 | 125 | 264,0 | 68,5 | 127 | 110,00 |
| | 20C063003 | PL 3 SPC 630 -type 7A | 630 | 3 | 4040 | 100 | 85,0 | 8,5 | 102 | 58,00 |
| | 20C063004 | PL 4 SPC 630 -type 7A | 630 | 4 | 4545 | 100 | 111,0 | 1,5 | 114 | 66,00 |
| | 20C063005 | PL 5 SPC 630 -type 9A | 630 | 5 | 5050 | 125 | 136,0 | 4,5 | 127 | 78,60 |
| | 20C063006 | PL 6 SPC 630 -type 9A | 630 | 6 | 5050 | 125 | 162,0 | 17,5 | 127 | 80,00 |
| | 20C063008 | PL 8 SPC 630 -type 9A | 630 | 8 | 5050 | 125 | 213,0 | 43,0 | 127 | 100,00 |
| | 20C063010 | PL10 SPC 630 -type 9A | 630 | 10 | 5050 | 125 | 264,0 | 68,5 | 127 | 122,00 |
| | 20C071004 | PL 4 SPC 710 -type 11A | 710 | 4 | 5050 | 125 | 110,5 | 12,0 | 127 | 81,60 |
| | 20C071005 | PL 5 SPC 710 -type 9A | 710 | 5 | 5050 | 125 | 136,0 | 4,5 | 127 | 91,00 |
| | 20C071006 | PL 6 SPC 710 -type 9A | 710 | 6 | 5050 | 125 | 162,0 | 17,5 | 127 | 96,40 |
| | 20C071008 | PL 8 SPC 710 -type 9A | 710 | 8 | 5050 | 125 | 213,0 | 43,0 | 127 | 129,00 |
| | 20C071010 | PL10 SPC 710 -type 9A | 710 | 10 | 5050 | 125 | 264,0 | 68,5 | 127 | 142,00 |
| | 20C080004 | PL 4 SPC 800 -type 11A | 800 | 4 | 5050 | 125 | 110,5 | 12,0 | 127 | 96,00 |
| | 20C080005 | PL 5 SPC 800 -type 9A | 800 | 5 | 5050 | 125 | 136,0 | 4,5 | 127 | 108,00 |
| | 20C080006 | PL 6 SPC 800 -type 9A | 800 | 6 | 5050 | 125 | 162,0 | 17,5 | 127 | 118,00 |
| | 20C080008 | PL 8 SPC 800 -type 9A | 800 | 8 | 5050 | 125 | 213,0 | 43,0 | 127 | 153,00 |
| | 20C080010 | PL10 SPC 800 -type 9A | 800 | 10 | 5050 | 125 | 264,0 | 68,5 | 127 | 169,00 |
| | 20C100004 | PL 4 SPC 1000 -type 11A | 1000 | 4 | 5050 | 125 | 110,5 | 12,0 | 127 | 118,00 |
| | 20C100005 | PL 5 SPC 1000 -type 9A | 1000 | 5 | 5050 | 125 | 136,0 | 4,5 | 127 | 130,00 |
| | 20C100006 | PL 6 SPC 1000 -type 9A | 1000 | 6 | 5050 | 125 | 162,0 | 17,5 | 127 | 150,00 |
| | 20C100008 | PL 8 SPC 1000 -type 9A | 1000 | 8 | 5050 | 125 | 213,0 | 43,0 | 127 | 190,00 |
| | 20C100010 | PL10 SPC 1000 -type 9A | 1000 | 10 | 5050 | 125 | 264,0 | 68,5 | 127 | 221,00 |